



ZPD-Z3227B-10-Z3

3227 Package Silicin PIN Photodiode

Descriptions

ZPD-Z3227B-10-Z3 is a high speed and high sensitive PIN photodiode in miniature flat top view lens SMD package and it is molded in a black plastic. The device is Spectrally matched to visible and infrared emitting diode.

Features

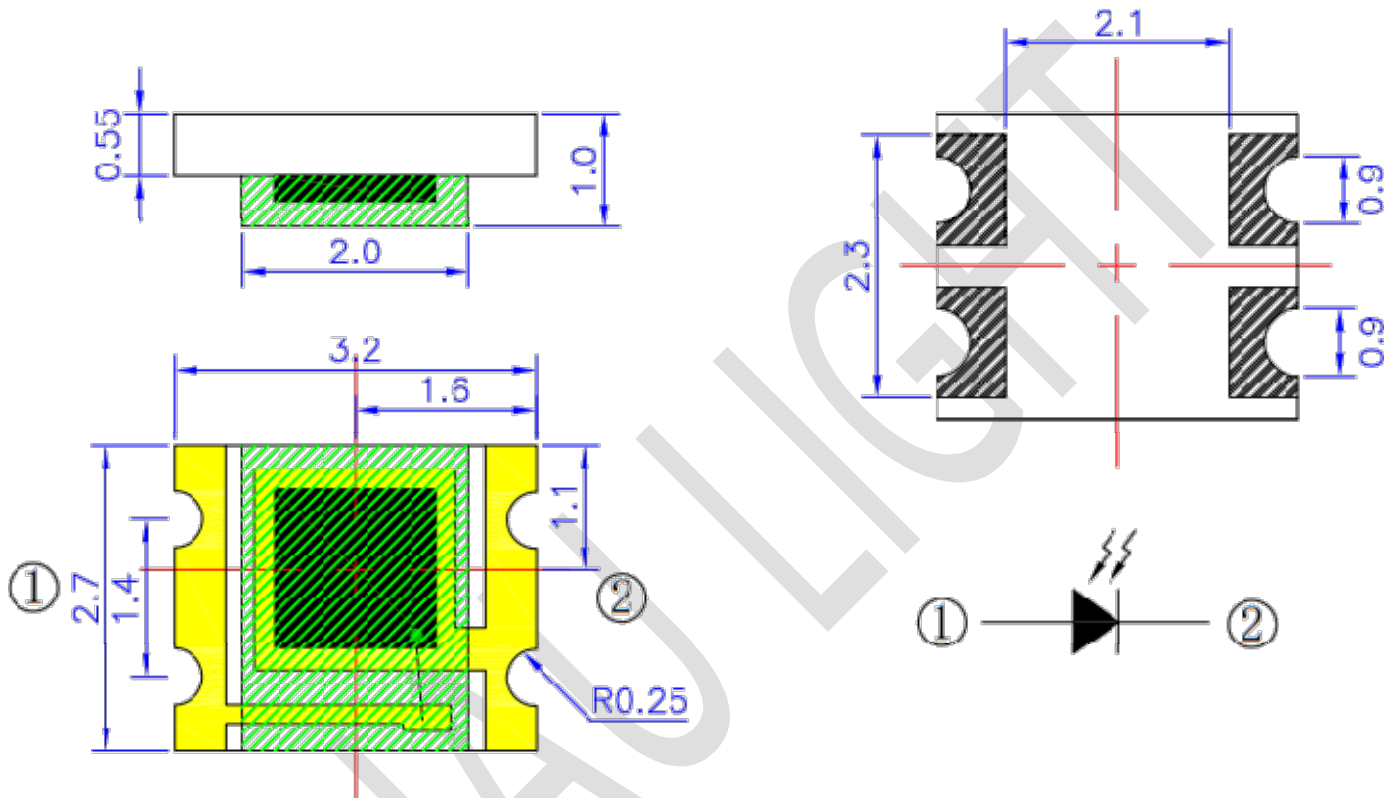
- Fast response time
- High photo sensitivity
- Small junction capacitance
- Pb free
- The product itself will remain within RoHS compliant version.

Applications

- High speed photo detector
- Copier
- Game machine



Package Dimension



Notes:

- 1.All dimensions are in millimeters
 - 2.Tolerances unless dimensions $\pm 0.1\text{mm}$
 - 3.Suggested pad dimension is just for reference only
- Please modify the pad dimension based on individual need



Absolute Maximum Ratings

Parameter (Ta=25°C)	Symbol	Ratings	Unit
Power Dissipation at(or below) 25 Free Air Temperature	Pd	150	mW
Reverse Voltage	VR	32	V
Operating Temperature	Topr	-25~+85	°C
Storage Temperature	Tstg	-40~+100	°C
Lead Soldering Temperature (2mm form body for 5 seconds)	Tsol	260	°C

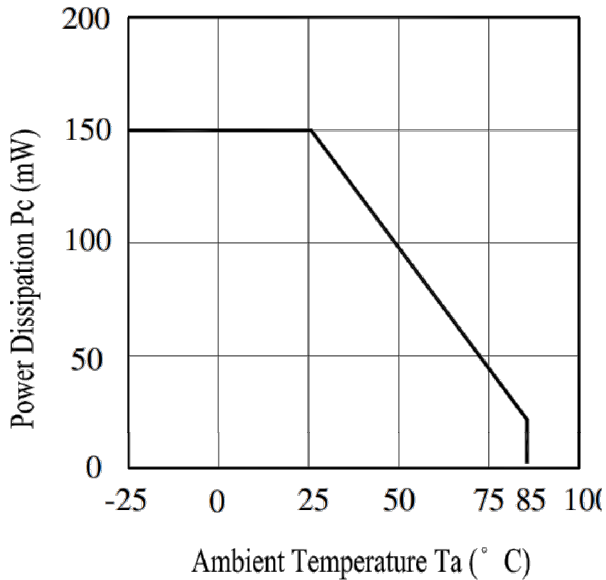
Electro-Optical Characteristics

Parameter (Ta=25°C)	Symbol	Condition	Min.	Typ.	Max.	Units
Short- Circuit Current	Isc	Ee=1mW/cm2 λp=875nm	4.0	6.5	--	μA
Reverse Light Current	IL	Ee=1mW/cm2 λp=875nm VR=5V	1.0	2.0	--	μA
Reverse Dark Current	ID	Ee=0mW/cm2 VR=10V	--	--	10	nA
Reverse Breakdown Voltage	BVR	Ee=0mW/cm2 IR=100μA	32	170	--	V
Open-Circuit Voltage	VOC	Ee=5mW/cm2 λP=940nm	--	0.41	--	V
Rise Time	tr	VR=10V RL=1000Ω	--	10	--	nS
Fall Time	tf	VR=10V RL=1000Ω	--	10	--	nS
Total Capacitance	Ct	Ee=0mW/cm2 VR=5V f=1MHz	--	6	--	pF
Rang Of Spectral Bandwidth	λ0.5	--	730	--	1100	nm
Wavelength of Peak Sensitivity	λp	--	--	940	--	nm

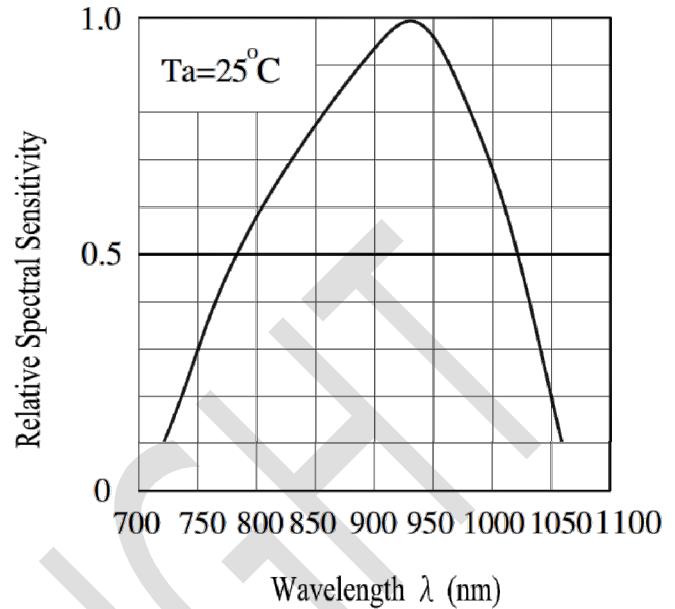


Typical Electrical/Optical/Characteristics Curves

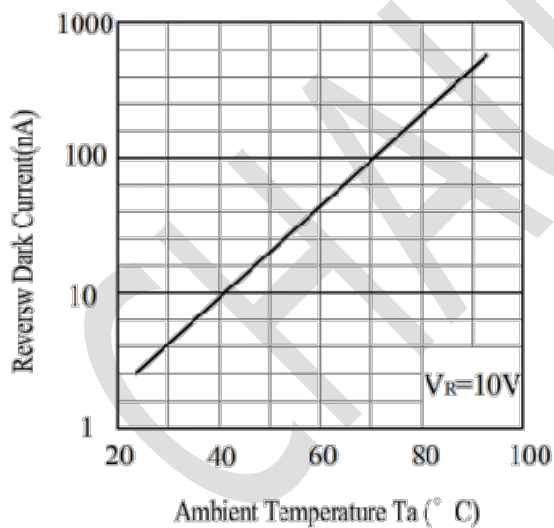
Power Dissipation vs.
Ambient Temperature



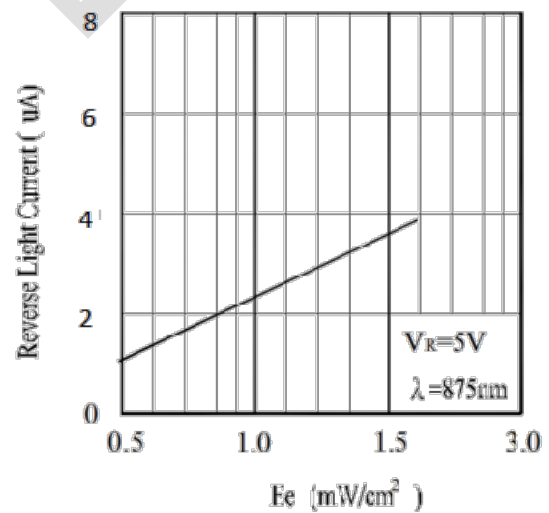
Spectral Sensitivity



Dark Current vs. Ambient Temperature

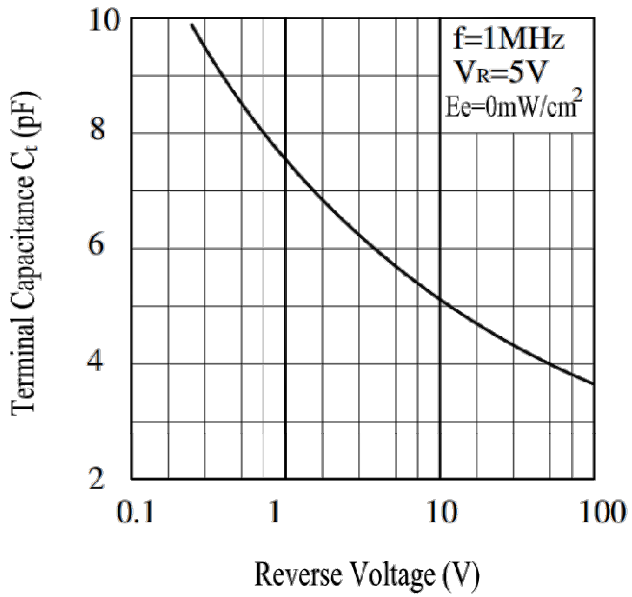


Reverse Light Current vs. E_e

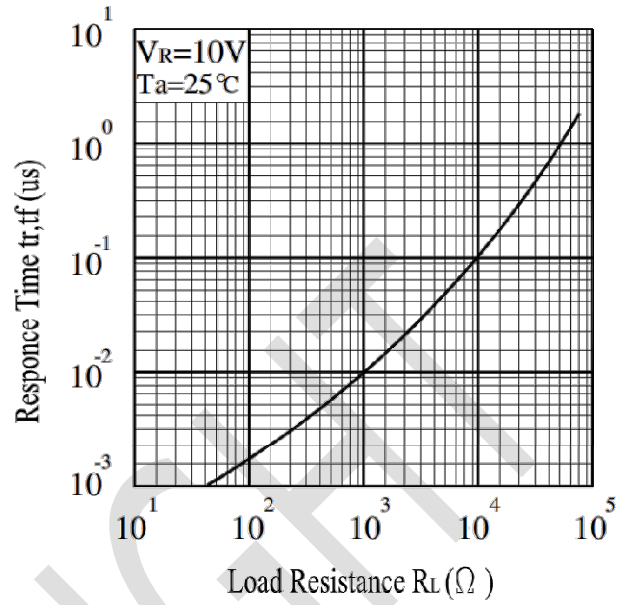




Terminal Capacitance vs.
Reverse Voltage

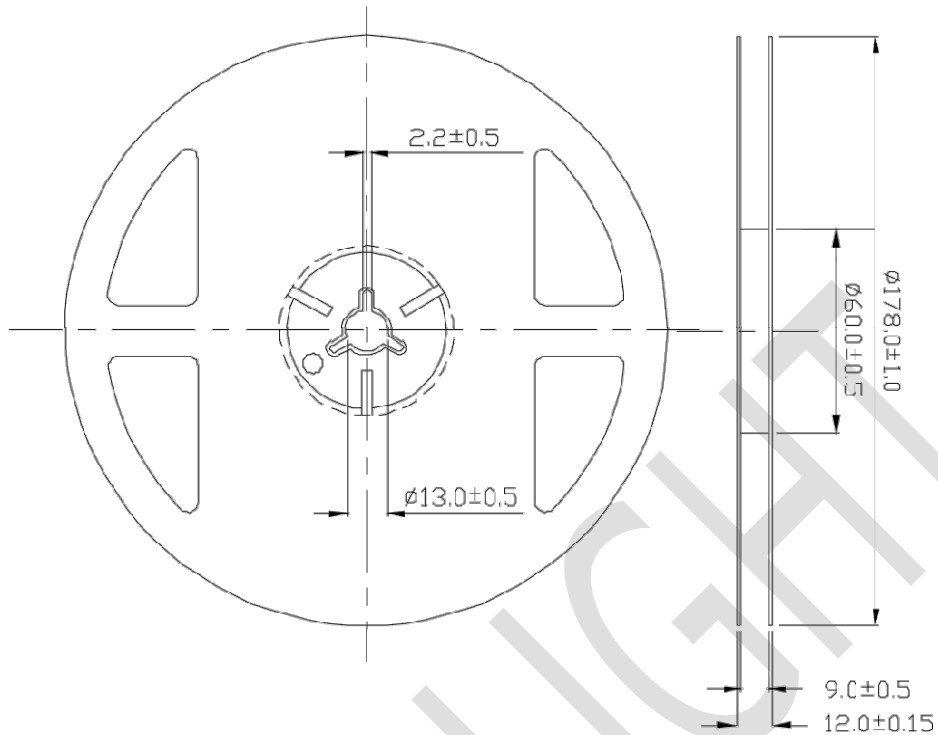


Response Time vs.
Load Resistance



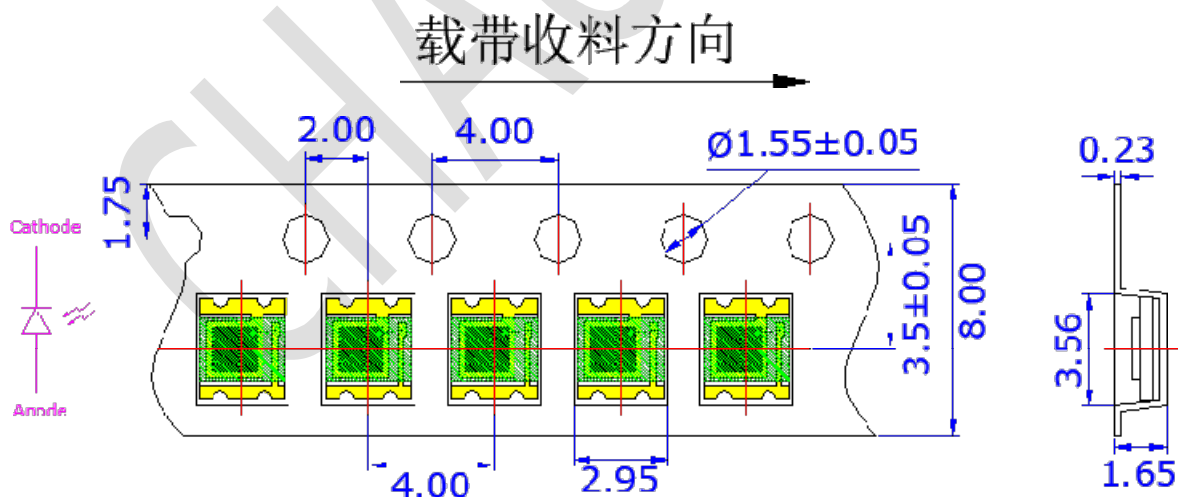


Package Dimensions



Note: The tolerances unless mentioned is ± 0.1 mm ,Unit = mm

Carrier Tape Dimensions:(Quantity: 3000pcs/reel)



Note: The tolerances unless mentioned is ± 0.1 mm ,Unit = mm



Notes

1. Above specification may be changed without notice. CHAU LIGHT will reserve authority on material change for above specification.
2. When using this product, please observe the absolute maximum ratings and the instruction for using outlined in these specification sheets. CHAU LIGHT assumes no responsibility for any damage resulting from use of the product which does not comply with the absolute maximum ratings and the instructions included in these specification sheets.
3. These specification sheets include materials protected under copyright of CHAU LIGHT corporation. Please don't reproduce or cause anyone to reproduce them without CHAU LIGHT's consent.

CHAU LIGHT