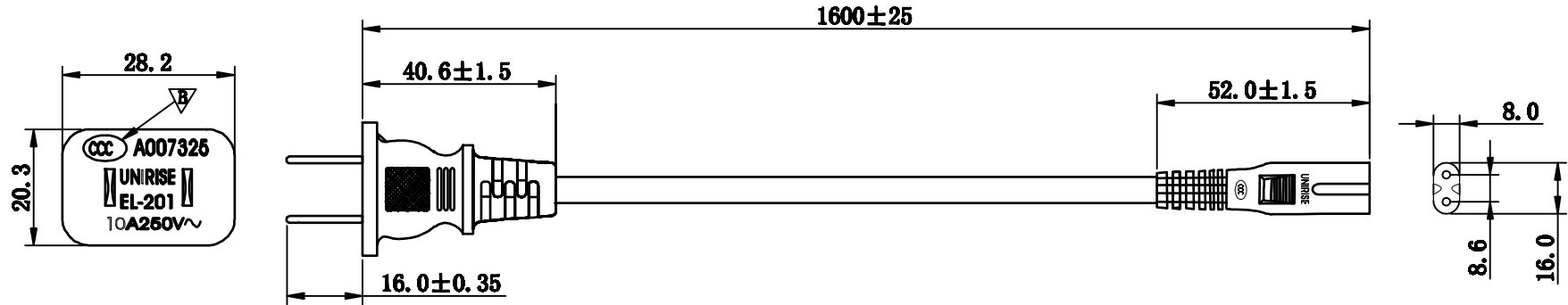
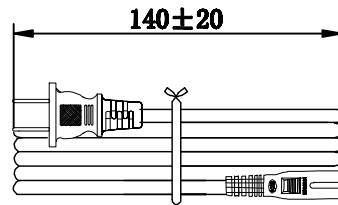


标记	版次	变更内容	日期
	A版	新版图面	2016-09-5
▽B	B版	为提高生产效率, 提高产品质量, 去掉3C位置“s”字号	2018-09-27

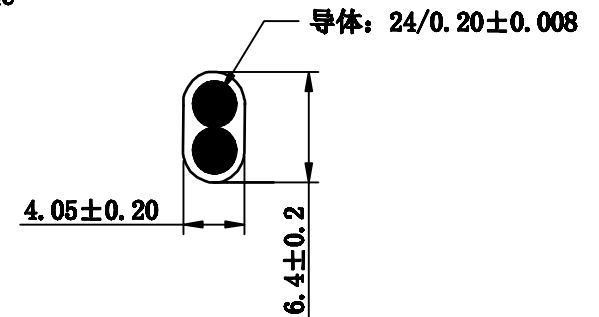


线材印字内容:

H05VVH2-F 2X0.75 mm<sup>2</sup> <VDE> KEMA-KEUR +S +S +S (FI) (D) (N) (S) IEMMEQU  
NSW23360 CCC A007325 60227 IEC 53(RVV) 300/500V 2X0.75mm<sup>2</sup> UNIRISE A



扎线示意图



NOTES:

1. CABLE: THE CORD SHALL COMPLY WITH GB5023
2. PLUG: THE MOLDED PLUG SHALL COMPLY WITH GB2099-4;
3. CONNECTOR: THE MOLDED CONNECTOR SHALL COMPLY WITH GB1002
4. THE PRODUCT SHALL BE TESTED 100% FOR ALL SAFETY ELECTRICAL ITEMS
5. COLOR: BLACK

TOLERANCE TABLE	
.0	±0.30
.00	±0.20
.000	±0.05

APPROVED:	DATE:	<b>Ckmtw</b> 深圳市灿科盟实业有限公司 CHANKLEMENT INDUSTRY CO., LTD			
CHECKED:	DATE:				
DRAWN: LYF		DATE: 2016-09-5		TITLE:	
				2H/国标两脚插+8字尾 L=1600MM	
FILE NO.		PART. NO.		UNIT mm SCALE free	
		/		① ②	
S002020062		REV. B /			