

規格承認書

PECIFICATION FOR APPROVAL

客戶
CUSTOMER : 立創

項目
ITEM : 超声波传感器

型號
TYPE : GU1008C-40T/R

描述
DESCRIPTION : $\phi 10 \times H7 \text{mm}$ 40KHz 开放式 收发分体

客戶料號
CUSTOMER NO. :

規格書號
SPECIFICATION NO. :

版本
EDITION NO. : V1.1

日期
DATE :

客戶承認

CUSTOMER CONFIRM AND SIGN

檢查 TESTED BY	審核 CHECKED BY	承認 APPROVED BY

東莞市贏海電子有限公司

DONGUAN INGHAI ELECTRONICS CO.,LTD

製作 ISSUED BY	審查 CHECKED BY	確認 APPROVED BY
周明	李林	

地址：廣東省東莞市長安鎮上沙管理區新春工業園新春路1號

電話 / TEL : 0769-83060958 傳真 / FAX : 0769-81608993

網址：[HTTP://WWW.INGHAI.COM](http://www.inghai.com)

A. Scope

This specification applies Ultrasonic sensor GU1008C-40T/R

B. Characteristics

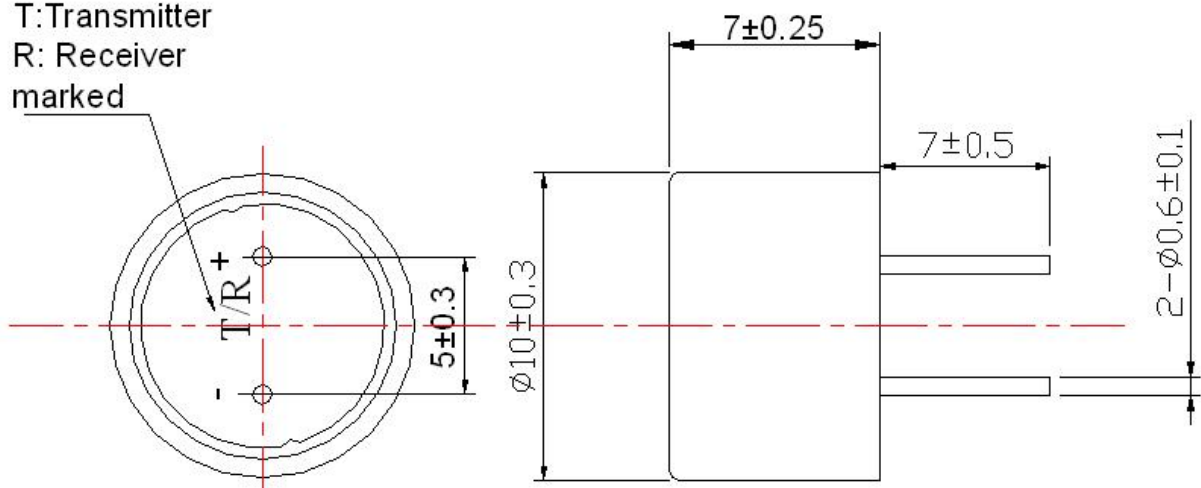
- 1.1) Open structure and separate use
- 1.2) Compact and light weight
- 1.3) High sensitivity and sound pressure
- 1.4) Less power consumption
- 1.5) High reliability

C. Technical terms

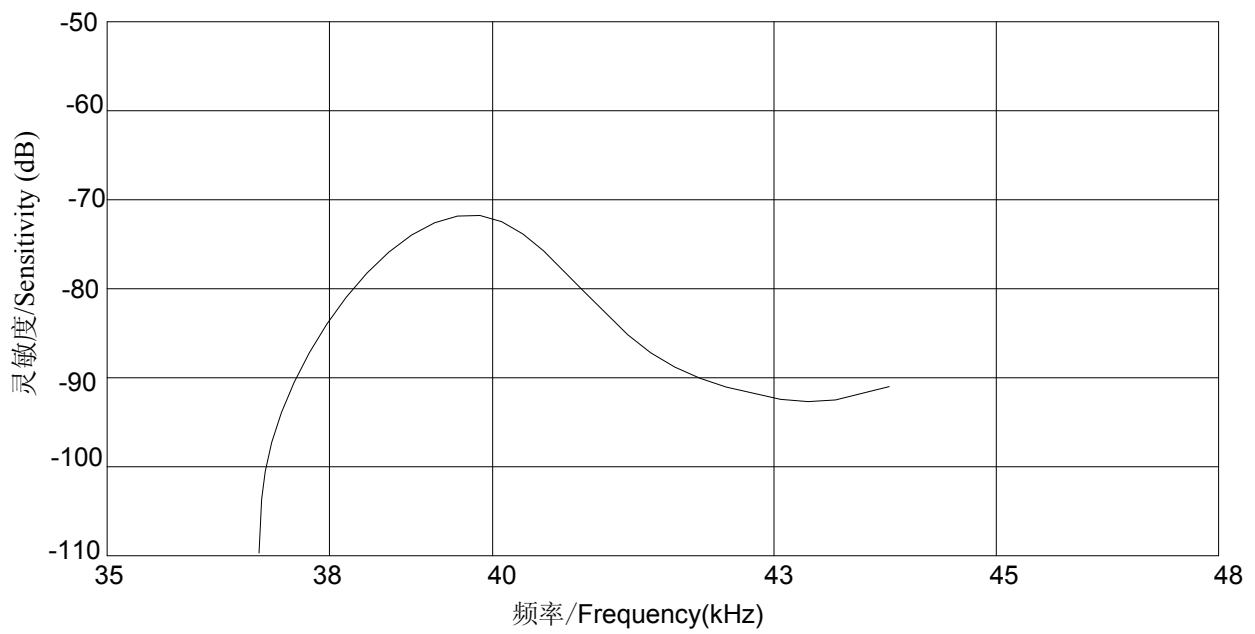
No.	Item	Unit	Specification
1	Construction		Open
2	Using method		Transmitter/Receiver
3	Nominal Frequency	Hz	40K
4	Sensitivity		$\geq -75\text{dBV}/\mu\text{Mbar}$
5	SPL	dB	≥ 108 (10V/30cm/sine wave)
6	Directivity		80deg
7	Capacitance	pF	$2100 \pm 25\% @ 1\text{KHz}$
8	Detectable range	m	0.2...12
9	Operating Temperature	°C	-20...+80
10	Housing material		Al

D. Drawing

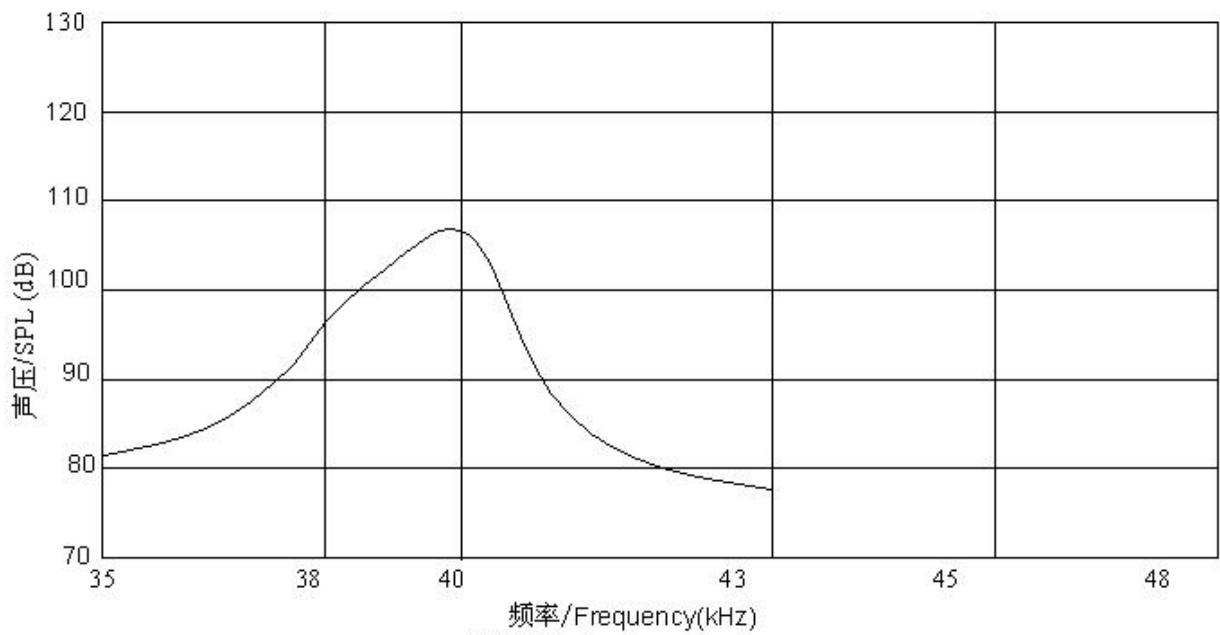
T: Transmitter
R: Receiver
marked



E. Beam Pattern



灵敏度-频率特性图/Sensitivity-Freq.Characteristics



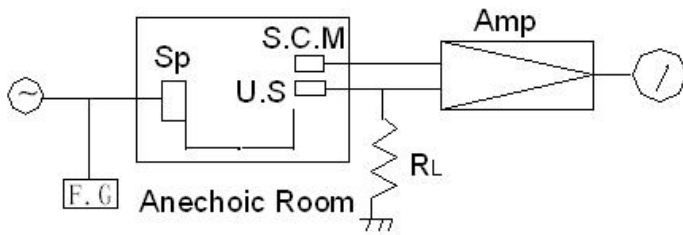
声压-频率特性图/SPL-Freq.Characteristics



指向性/Directivity in Sensitivity

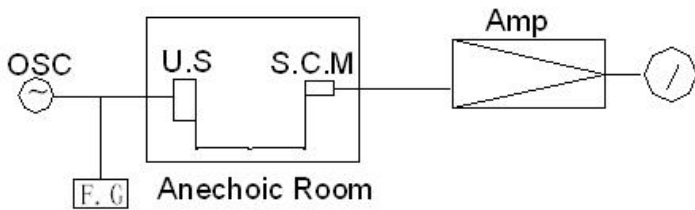
F. Test Circuit

Receiver



- RL: $3.9K\Omega$
- U.S :Ultrasonic Sensor
- S.C.M:Standard Cappacitor Microphone
- Amp. :Amplifier
- OSC. :Oscillator
- Sp :Tweeter
- F.C :Frequency Counter

Transmitter



- U.S :Ultrasonic Sensor
- S.C.M:Standard Cappacitor Microphone
- Amp. :Amplifier
- Input voltage:10Vrms
- F.C :Frequency Counter