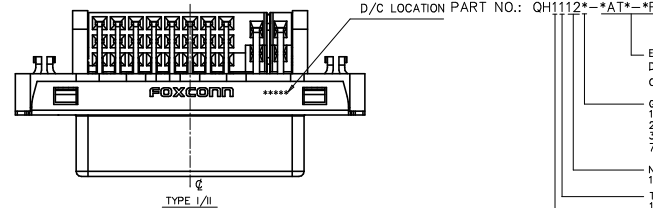
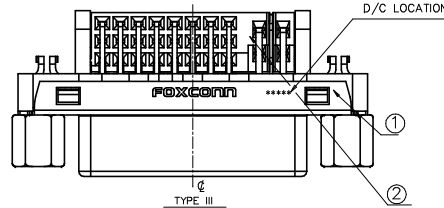


REV.	ECN. NO.	APPD.
A	BC-07-7069595	COREL
B	BC-07-7086706	COREL
C	BC-08-7081217	COREL
D	BC-10-0019269	COREL
E	BC-11-0069753	COREL
F	BC-12-0050158	Adward Zheng



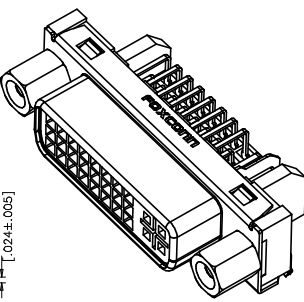
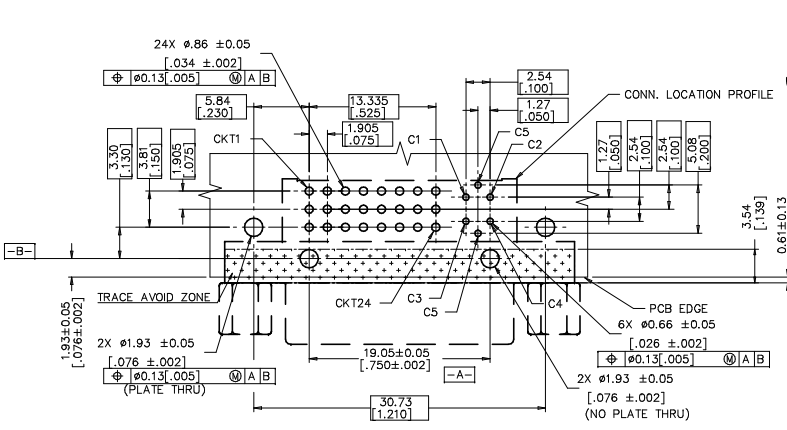
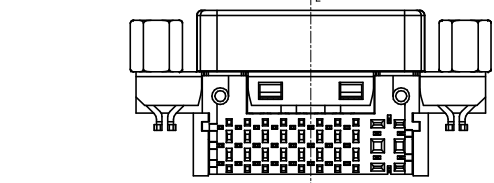
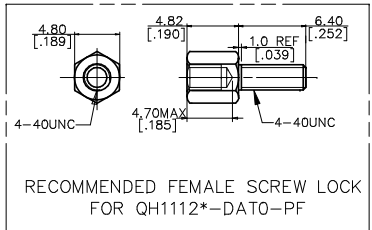
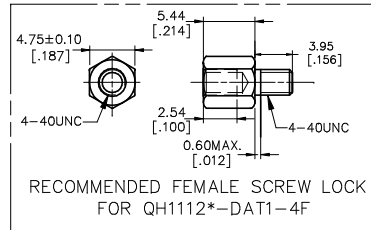
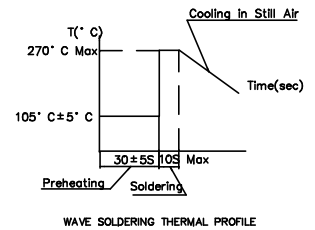
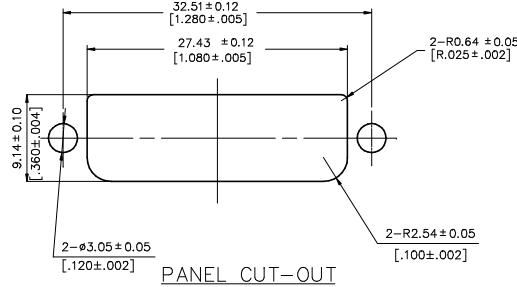
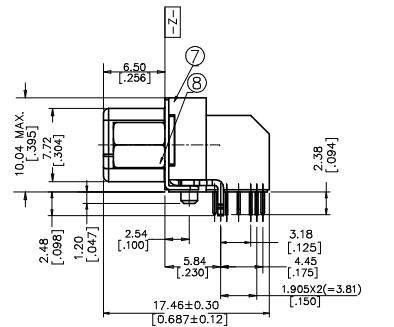
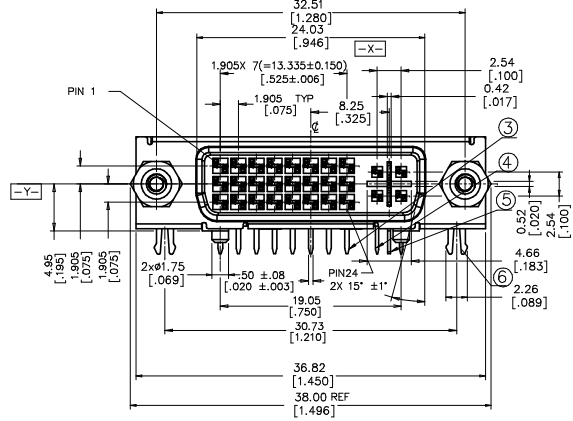
EXTENSION CODE
 DAT1--*F: WHITE COLOR
 CAT1--*F: BLACK COLOR

GOLD PLATED THICKNESS AT CONTACT AREA:
 1 = GOLD FLASH
 2 = 20u" gold plating
 3 = 30u" gold plating
 7 = 15u" gold plating

NO. OF CONTACT POSITIONS:
 12 = 24 POS.(FOR DIGITAL CONTACT)

TERMINATION TYPE:
 1 = FEMALE

BODY TYPE:
 1 = RIGHT ANGLE PCB MOUNT



RECOMMENDED PCB LAYOUT (COMPONENT SIDE SHOWN)

TYPE III	QH1112*--*AT1-4F	W/ FSL
TYPE II	QH1112*--*AT0-PF	W/ FSL,BUT UNLOADED AND PACKED WITH CONNECTOR.
TYPE I	QH1112*--*AT0-4F	W/O FSL
TYPE	P/N	CHARACTER

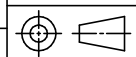
ITEM	DESCRIPTION	Q'TY	MATERIAL	TREATMENT	REMARK
8	FEMALE SCREW LOCK (FSL)	2	METAL	NICKEL PLATED	SEE PART NO.
7	HOUSING	1	THERMOPLASTIC UL 94V-0	MOLDED COLOR	
6	BOARD LOCK	2	STEEL	NICKEL PLATED OVERALL; TIN PLATED OVER NICKEL	
5	GROUND BLADE	1			
4	ANALOG CONTACT	4	COPPER ALLOY		
3	DIGITAL CONTACT	24		50u" MIN. NICKEL UNDERPLATED; GOLD PLATED AT CONTACT AREA; 100u" MIN. Sn ALLOY(LEAD FREE) PLATED AT SOLDER TAIL.	
2	SPACER	1	THERMOPLASTIC UL 94V-0	MOLDED COLOR	
1	METAL SHELL	1	STEEL	NICKEL PLATED	

X. ±	X' ±	UNITS mm [INCH]	NAME (INTENDED USE)	FOXCONN HON HAI PRECISION IND. CO.,LTD. TAIPEI, TAIWAN, R.O.C.
.X ±	.X' ±	MAT'L	CUSTOMER	
.XX ± 0.25 [0.010]	.XX' ±	N/A	PART NO.(INTENDED USE)	TITLE: DVI RECEPTACLE CONN. (COMBINED ANALOG & DIGITAL)
.XXX ± 0.25 [0.010]	.XXX' ±	FINISH	APPD: <i>Dean Zhang 07/23'12</i>	DWG NO.: 301-0000-1563
		Q'TY	CHKD: <i>Radar Sun 07/23'12</i>	
			DR: <i>QianCheng 07/23'12</i>	

THESE DRAWINGS AND SPECIFICATIONS ARE THE PROPERTY OF HON HAI PRECISION IND. CO., LTD. AND SHALL NOT BE REPRODUCED COPIED OR USED IN ANY MANNER WITHOUT THE PRIOR WRITTEN CONSENT OF HON HAI PRECISION IND. CO., LTD.

SCALE	SHEET	REV.
1:1	1/2	F

1. BASE UPON DDWG DVI REV. 1.0 STANDARD.
2. ELECTRICAL CHARACTERISTICS:
 - 2-1. CONTACT CURRENT RATING: 1.5 A.
 - 2-2. CONTACT RESISTANCE:
INITIAL: 20 MILLIOHMS MAXIMUM.,
PER CONTACT MATED PAIR;
AFTER CONDITIONING: 10 MILLIOHMS MAXIMUM CHANGE.
 - 2-3. DIELECTRIC WITHSTANDING VOLTAGE: 500 V DC.
 - 2-4. INSULATION RESISTANCE: 1 GEGAOHM MINIMUM.
3. MECHANICAL CHARACTERISTICS:
 - 3-1. CONNECTOR MATING & UNMATING FORCES:
MATING FORCE: 4.5 Kgf MAXIMUM.
UNMATING FORCE: 1~4 Kgf.
 - 3-2. DURABILITY: 500 CYCLES.
 - 3-3. CONNECTOR INSERTION (TO PCB) & SEPARATION (FROM PCB) FORCE:
INSERTION: 2 Kgf MAXIMUM.
SEPARATION: 0.8 Kgf MINIMUM.
 - 3-4. TEMPERATURE RATING: -20~85°C.
 - 3-5: CONTACT RETENTION FORCE: 0.5Kgf MINIMUM.
 - 3-6: ENDURANT TWISTING FORCE OF THE SCREW:
5Kgf-cm MAXIMUM.
4. RECOMMENDED THICKNESS OF PCB: 1.57 ± 0.08 [$.062 \pm .003$].
5. "ROHS" COMPLIANT.
6. RECOMMENDED PROCESS:

X. ±	X'. ±	UNITS mm [INCH]	NAME (INTENDED USE)	FOXCONN HON HAI PRECISION IND. CO., LTD. TAIPEI, TAIWAN, R.O.C.
.X ±	.X' ±	MAT'L	CUSTOMER	
.XX ± $\frac{0.25}{.010}$.XX' ±	N/A	PART NO. (INTENDED USE)	TITLE:
.XXX ± $\frac{0.25}{.010}$.XXX' ±	FINISH	QH1112*-*AT*-*F	DVI RECEPTACLE CONN. (COMBINED ANALOG & DIGITAL)
THESE DRAWINGS AND SPECIFICATIONS ARE THE PROPERTY OF HON HAI PRECISION IND. CO., LTD. AND SHALL NOT BE REPRODUCED COPIED OR USED IN ANY MANNER WITHOUT THE PRIOR WRITTEN CONSENT OF HON HAI PRECISION IND. CO., LTD.			APPD: <i>Dean Zhang 07/23'12</i>	DWG NO.:
			301-0000-1563	
			CHKD: <i>Radar Sun 07/23'12</i>	
			DR: <i>QianCheng 07/23'12</i>	
				1:1 2/2 F