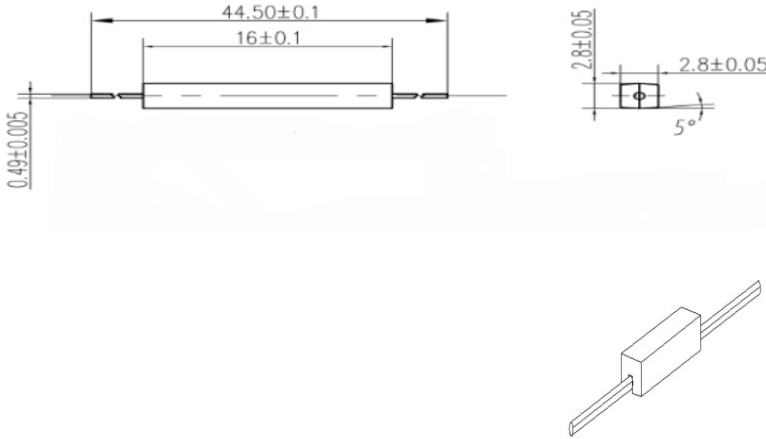
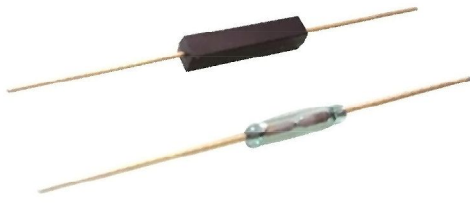



PCB/SMD Mount Reed Switch/Sensor

Product Name	Normally Open Reed Sensor	Item No.	FRS-16A45H
		 <p><b>Advantages:</b></p> <ol style="list-style-type: none"> <li>1. Easy installation, operate in magnetic field.</li> <li>2. Passive switch, no need outer power</li> <li>3. Cut through any non-iron materials.</li> </ol>	
Item Numbers	FRS-16A45H 		
Built-in reed switch	MKA-14103		
Switch Form	Form A-SPST		
Operate Range (AT)	8-35		
Operate Time (ms)	1.0		
Resonant Frequency (Hz)	4000		
Switched Power (max.)	10		
Switched Vdc/Vac (max.)	100		
Switched Current (max.)	0.5		
Carry Current (max.)	1.0		
Breakdown Voltage (min.)	220		
Contact Resist. (max.)	100		
Contact Capacit. (max.)	0.7		
Insulation Resist. (min.)	10 <sup>8</sup>		
Mould Case	Black Epoxy Resin		
Sealed technique	Black Epoxy Resin		
Work Temperature	-40~+125		
Installation	2 leads, Plug-in		