

LM567x Tone Decoder

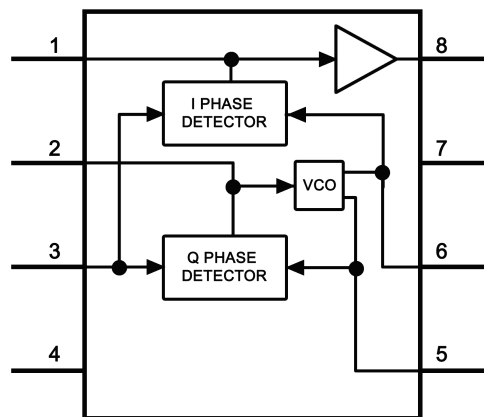
1 Features

- 20 to 1 Frequency Range With an External Resistor
- Logic Compatible Output With 100-mA Current Sinking Capability
- Bandwidth Adjustable From 0 to 14%
- High Rejection of Out of Band Signals and Noise
- Immunity to False Signals
- Highly Stable Center Frequency
- Center Frequency Adjustable from 0.01 Hz to 500 kHz

2 Applications

- Touch Tone Decoding
- Precision Oscillator
- Frequency Monitoring and Control
- Wide Band FSK Demodulation
- Ultrasonic Controls
- Carrier Current Remote Controls
- Communications Paging Decoders

4 Simplified Diagram



3 Description

The LM567 and LM567C are general purpose tone decoders designed to provide a saturated transistor switch to ground when an input signal is present within the passband. The circuit consists of an I and Q detector driven by a voltage controlled oscillator which determines the center frequency of the decoder. External components are used to independently set center frequency, bandwidth and output delay.

Device Information⁽¹⁾

PART NUMBER	PACKAGE	BODY SIZE (NOM)
LM567C	SOIC (8)	4.90 mm x 3.91 mm
	PDIP (8)	9.81 mm x 6.35 mm

(1) For all available packages, see the orderable addendum at the end of the datasheet.



Table of Contents

1 Features	1	10.2 Functional Block Diagram	8
2 Applications	1	10.3 Feature Description	9
3 Description	1	10.4 Device Functional Modes	10
4 Simplified Diagram	1	11 Application and Implementation	12
5 Revision History	2	11.1 Application Information	12
6 Device Comparison Table	3	11.2 Typical Applications	13
7 Pin Configuration and Functions	3	12 Power Supply Recommendations	19
8 Specifications	4	13 Layout	19
8.1 Absolute Maximum Ratings	4	13.1 Layout Guidelines	19
8.2 Recommended Operating Conditions	4	13.2 Layout Example	19
8.3 Thermal Information	4	14 Device and Documentation Support	20
8.4 Electrical Characteristics	5	14.1 Related Links	20
8.5 Typical Characteristics	6	14.2 Trademarks	20
9 Parameter Measurement Information	8	14.3 Electrostatic Discharge Caution	20
10 Detailed Description	8	14.4 Glossary	20
10.1 Overview	8	15 Mechanical, Packaging, and Orderable Information	20

5 Revision History

NOTE: Page numbers for previous revisions may differ from page numbers in the current version.

Changes from Revision D (March 2013) to Revision E

Page

- Added *Pin Configuration and Functions* section, *ESD Ratings* table, *Feature Description* section, *Device Functional Modes*, *Application and Implementation* section, *Power Supply Recommendations* section, *Layout* section, *Device and Documentation Support* section, and *Mechanical, Packaging, and Orderable Information* section 1

Changes from Revision C (March 2013) to Revision D

Page

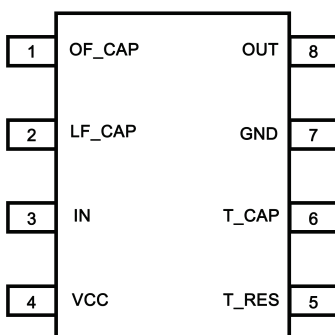
- Changed layout of National Data Sheet to TI format 9

6 Device Comparison Table

DEVICE NAME	DESCRIPTION
LM567, LM567C	General Purpose Tone Decoder
LMC567	Same as LM567C, but lower power supply current consumption and double oscillator frequency

7 Pin Configuration and Functions

8-Pin
PDIP (P) and SOIC (D) Package
Top View



Pin Functions

PIN		TYPE	DESCRIPTION
NAME	NO.		
GND	7	P	Circuit ground.
IN	3	I	Device input.
LF_CAP	2	I	Loop filter capacitor pin (LPF of the PLL).
OUT	8	O	Device output.
OF_CAP	1	I	Output filter capacitor pin.
T_CAP	5	I	Timing capacitor connection pin.
T_RES	6	I	Timing resistor connection pin.
VCC	4	P	Voltage supply pin.

8 Specifications

8.1 Absolute Maximum Ratings⁽¹⁾⁽²⁾⁽³⁾

		MIN	MAX	UNIT	
Supply Voltage Pin			9	V	
Power Dissipation ⁽⁴⁾			1100	mW	
V_8			15	V	
V_3			-10	V	
V_3			$V_4 + 0.5$	V	
Operating Temperature Range	LM567CM, LM567CN	0	70	°C	
	PDIP Package	Soldering (10 s)		260	°C
	SOIC Package	Vapor Phase (60 s)		215	°C
		Infrared (15 s)		220	°C
Storage temperature range, T_{stg}		-65	150	°C	

- (1) Absolute Maximum Ratings indicate limits beyond which damage to the device may occur. [Recommended Operating Conditions](#) indicate conditions for which the device is functional, but do not ensure specific performance limits. [Electrical Characteristics](#) state DC and AC electrical specifications under particular test conditions which ensure specific performance limits. This assumes that the device is within the Recommended Operating Conditions. Specifications are not ensured for parameters where no limit is given, however, the typical value is a good indication of device performance.
- (2) If Military/Aerospace specified devices are required, please contact the Texas Instruments Sales Office/Distributors for availability and specifications.
- (3) See <http://www.ti.com> for other methods of soldering surface mount devices.
- (4) The maximum junction temperature of the LM567 and LM567C is 150°C. For operating at elevated temperatures, devices in the DIP package must be derated based on a thermal resistance of 110°C/W, junction to ambient. For the SOIC package, the device must be derated based on a thermal resistance of 160°C/W, junction to ambient.

8.2 Recommended Operating Conditions

over operating free-air temperature range (unless otherwise noted)

		MIN	MAX	UNIT
V_{CC}	Supply Voltage	3.5	8.5	V
V_{IN}	Input Voltage Level	-8.5	8.5	V
T_A	Operating Temperature Range	-20	120	°C

8.3 Thermal Information

THERMAL METRIC ⁽¹⁾		LM567C		UNIT
		D	P	
		8 PINS		
$R_{\theta JA}$	Junction-to-ambient thermal resistance	107.5	53.0	°C/W
$R_{\theta JC(top)}$	Junction-to-case (top) thermal resistance	54.6	42.3	
$R_{\theta JB}$	Junction-to-board thermal resistance	47.5	30.2	
Ψ_{JT}	Junction-to-top characterization parameter	10.0	19.6	
Ψ_{JB}	Junction-to-board characterization parameter	47.0	30.1	

- (1) For more information about traditional and new thermal metrics, see the *IC Package Thermal Metrics* application report, [SPRA953](#).

8.4 Electrical Characteristics

 AC Test Circuit, $T_A = 25^\circ\text{C}$, $V^+ = 5\text{ V}$

PARAMETER	TEST CONDITIONS	LM567			LM567C/LM567CM			UNIT
		MIN	TYP	MAX	MIN	TYP	MAX	
Power Supply Voltage Range		4.75	5.0	9.0	4.75	5.0	9.0	V
Power Supply Current Quiescent	$R_L = 20\text{k}$		6	8		7	10	mA
Power Supply Current Activated	$R_L = 20\text{k}$		11	13		12	15	mA
Input Resistance		18	20		15	20		k Ω
Smallest Detectable Input Voltage	$I_L = 100\text{ mA}$, $f_i = f_o$		20	25		20	25	mVrms
Largest No Output Input Voltage	$I_C = 100\text{ mA}$, $f_i = f_o$	10	15		10	15		mVrms
Largest Simultaneous Outband Signal to Inband Signal Ratio			6			6		dB
Minimum Input Signal to Wideband Noise Ratio	$B_n = 140\text{ kHz}$		-6			-6		dB
Largest Detection Bandwidth		12	14	16	10	14	18	% of f_o
Largest Detection Bandwidth Skew			1	2		2	3	% of f_o
Largest Detection Bandwidth Variation with Temperature			± 0.1			± 0.1		%/ $^\circ\text{C}$
Largest Detection Bandwidth Variation with Supply Voltage	4.75 – 6.75 V		± 1	± 2		± 1	± 5	%V
Highest Center Frequency		100	500		100	500		kHz
Center Frequency Stability (4.75 – 5.75 V)	$0 < T_A < 70$ $-55 < T_A < +125$		35 ± 60 35 ± 140			35 ± 60 35 ± 140		ppm/ $^\circ\text{C}$ ppm/ $^\circ\text{C}$
Center Frequency Shift with Supply Voltage	4.75 V – 6.75 V 4.75 V – 9 V		0.5	1.0 2.0		0.4	2.0 2.0	%/V %/V
Fastest ON-OFF Cycling Rate			$f_o/20$			$f_o/20$		
Output Leakage Current	$V_g = 15\text{ V}$		0.01	25		0.01	25	μA
Output Saturation Voltage	$e_i = 25\text{ mV}$, $I_g = 30\text{ mA}$ $e_i = 25\text{ mV}$, $I_g = 100\text{ mA}$		0.2 0.6	0.4 1.0		0.2 0.6	0.4 1.0	V
Output Fall Time			30			30		ns
Output Rise Time			150			150		ns

8.5 Typical Characteristics

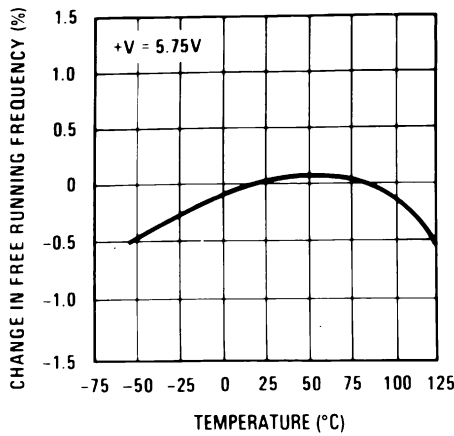


Figure 1. Typical Frequency Drift

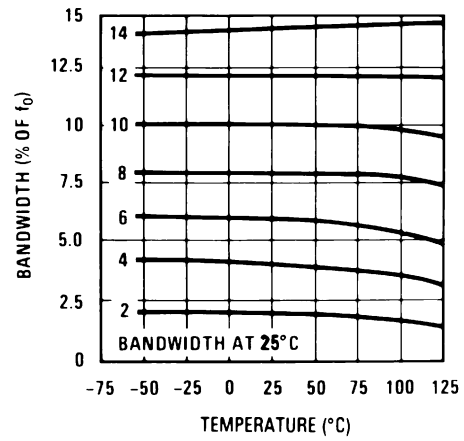


Figure 2. Typical Bandwidth Variation

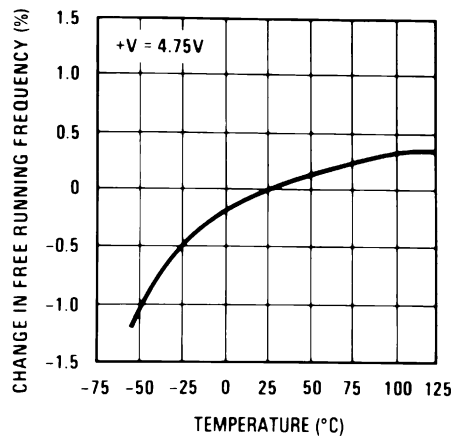


Figure 3. Typical Frequency Drift

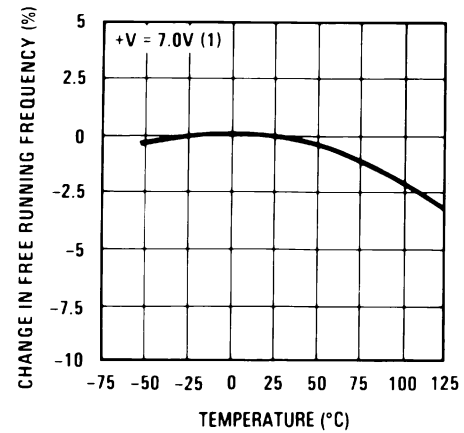


Figure 4. Typical Frequency Drift

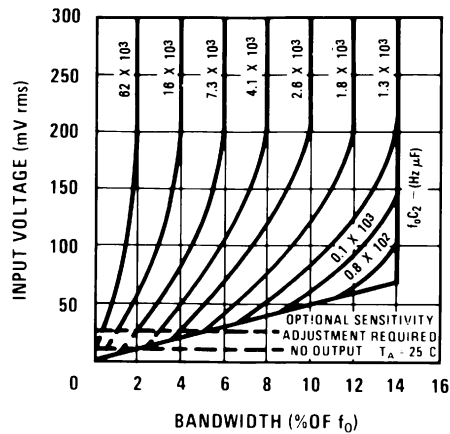


Figure 5. Bandwidth vs Input Signal Amplitude

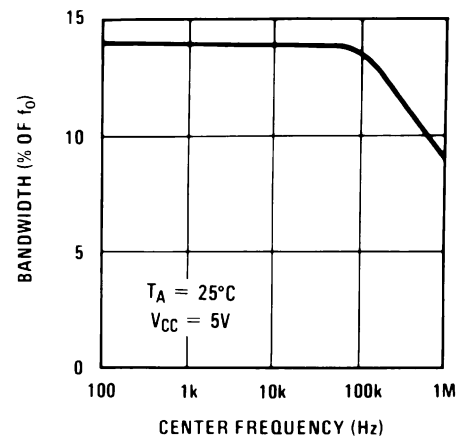


Figure 6. Largest Detection Bandwidth

Typical Characteristics (continued)

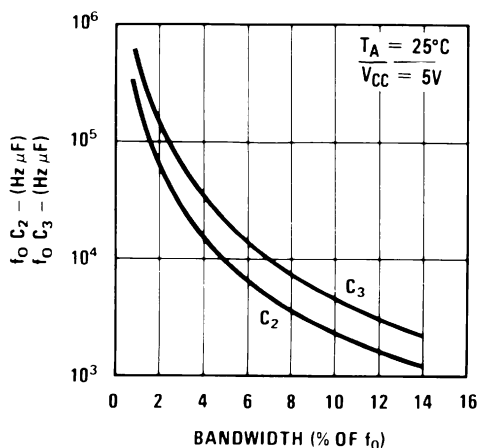


Figure 7. Detection Bandwidth as a Function of C_2 and C_3

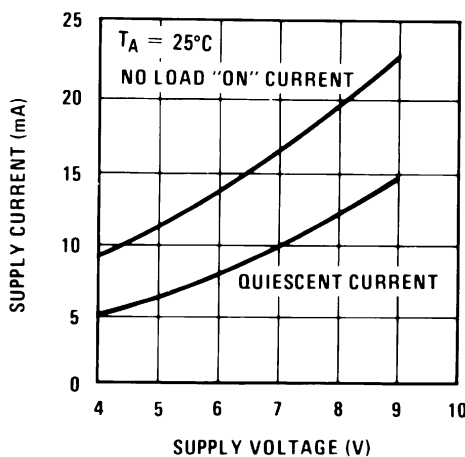


Figure 8. Typical Supply Current vs Supply Voltage

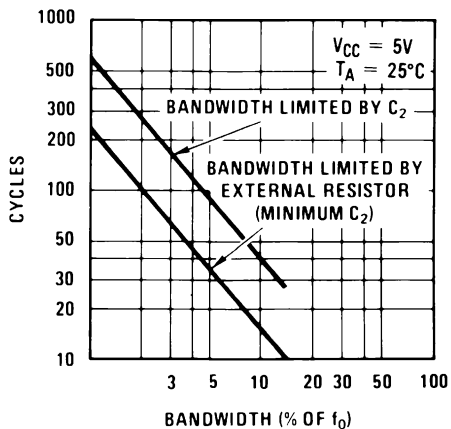


Figure 9. Greatest Number of Cycles Before Output

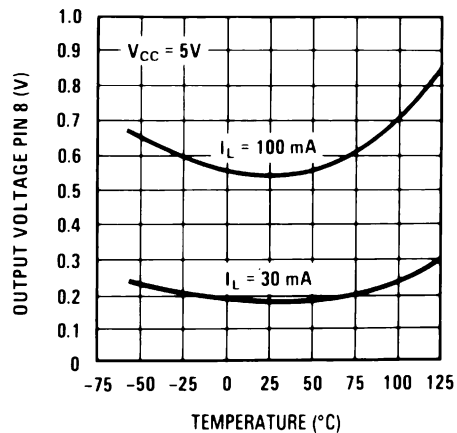


Figure 10. Typical Output Voltage vs Temperature

9 Parameter Measurement Information

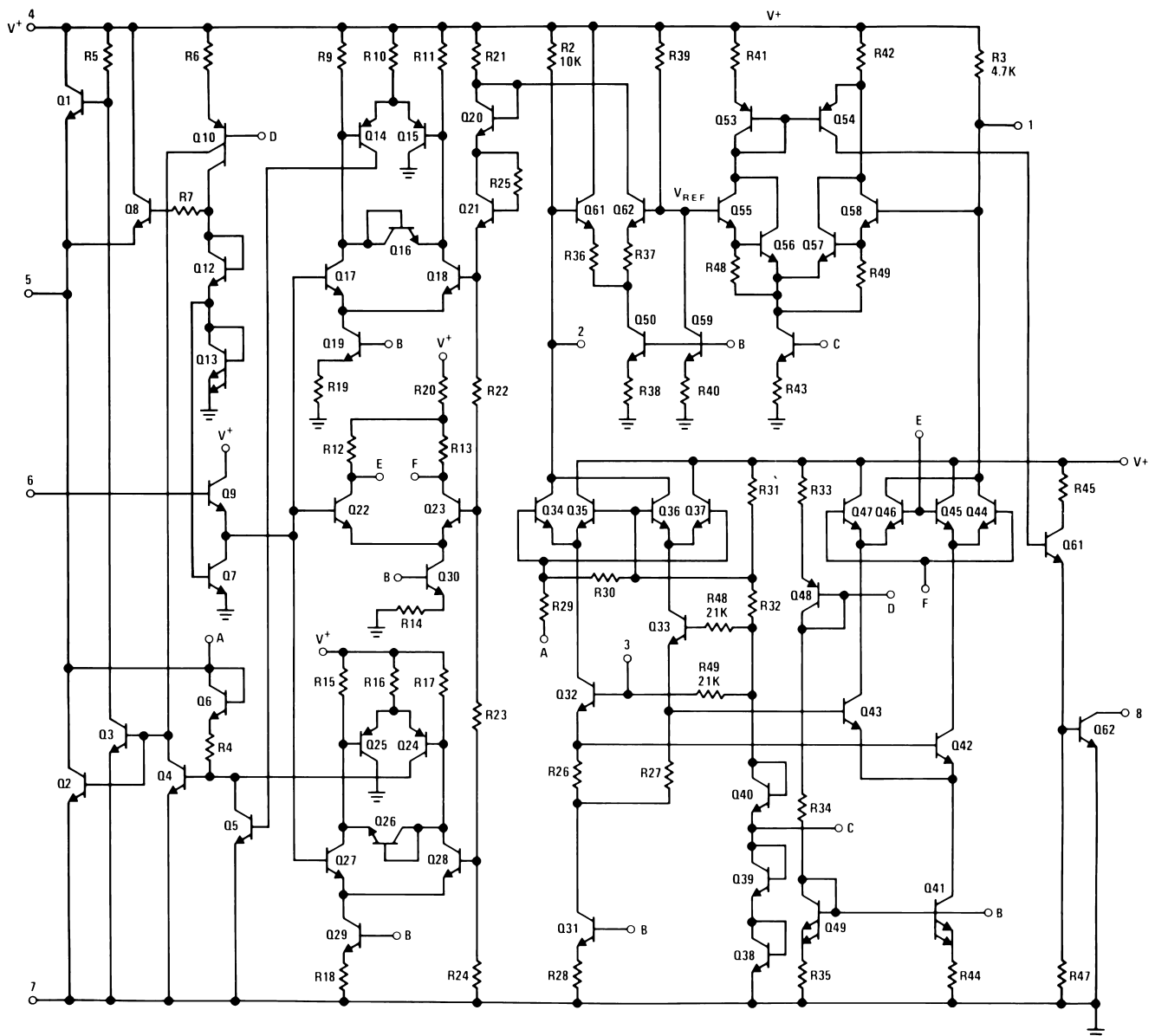
All parameters are measured according to the conditions described in the [Specifications](#) section.

10 Detailed Description

10.1 Overview

The LM567C is a general purpose tone decoder. The circuit consists of I and Q detectors driven by a voltage controlled oscillator which determines the center frequency of the decoder. This device is designed to provide a transistor switch to ground output when the input signal frequency matches the center frequency pass band. Center frequency is set by an external timing circuit composed by a capacitor and a resistor. Bandwidth and output delay are set by external capacitors.

10.2 Functional Block Diagram



10.3 Feature Description

10.3.1 Center Frequency

The center frequency of the LM567 tone decoder is equal to the free running frequency of the voltage controlled oscillator. In order to set this frequency, external components should be placed externally. The component values are given by:

$$f_o \approx \frac{1.1}{R_1 C_1}$$

where

- R_1 = Timing Resistor
- C_1 = Timing Capacitor

(1)

10.3.2 Output Filter

To eliminate undesired signals that could trigger the output stage, a post detection filter is featured in the LM567C. This filter consists of an internal resistor (4.7K-Ω) and an external capacitor. Although typically external capacitor value is not critical, it is recommended to be at least twice the value of the loop filter capacitor. If the output filter capacitor value is too large, the turn-on and turn off-time of the output will present a delay until the voltage across this capacitor reaches the threshold level.

10.3.3 Loop Filter

The phase locked loop (PLL) included in the LM567 has a pin for connecting the low pass loop filter capacitor. The selection of the capacitor for the filter depends on the desired bandwidth. The device bandwidth selection is different according to the input voltage level. Refer to the [Operation With \$V_i < 200m - V_{RMS}\$](#) section and the [Operation With \$V_i > 200m - V_{RMS}\$](#) section for more information about the loop filter capacitor selection.

10.3.4 Logic Output

The LM567 is designed to provide a transistor switch to ground output when the input signal frequency matches the center frequency pass band. The logic output is an open collector power transistor that requires an external load resistor that is used to regulate the output current level.

10.3.5 Die Characteristics

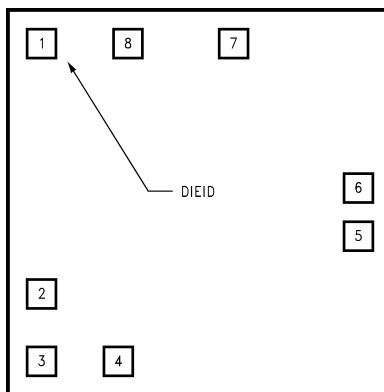


Figure 11. Die Layout (C - Step)

Feature Description (continued)
Table 1. Die and Wafer Characteristics

Fabrication Attributes		General Die Information	
Physical Die Identification	LM567C	Bond Pad Opening Size (min)	91µm x 91µm
Die Step	C	Bond Pad Metalization	0.5% COPPER_BAL. ALUMINUM
Physical Attributes		Passivation	VOM NITRIDE
Wafer Diameter	150mm	Back Side Metal	BARE BACK
Dise Size (Drawn)	1600µm x 1626µm 63.0mils x 64.0mils	Back Side Connection	Floating
Thickness	406µm Nominal		
Min Pitch	198µm Nominal		
Special Assembly Requirements:			
Note: Actual die size is rounded to the nearest micron.			

Die Bond Pad Coordinate Locations (C - Step)						
(Referenced to die center, coordinates in µm) NC = No Connection, N.U. = Not Used						
SIGNAL NAME	PAD# NUMBER	X/Y COORDINATES		PAD SIZE		
		X	Y	X		Y
OUTPUT FILTER	1	-673	686	91	x	91
LOOP FILTER	2	-673	-419	91	x	91
INPUT	3	-673	-686	91	x	91
V+	4	-356	-686	91	x	91
TIMING RES	5	673	-122	91	x	91
TIMING CAP	6	673	76	91	x	91
GND	7	178	686	117	x	91
OUTPUT	8	-318	679	117	x	104

10.4 Device Functional Modes
10.4.1 Operation With $V_i < 200m - V_{RMS}$

When the input signal is below a threshold voltage, typically 200m-VRMS, the bandwidth of the detection band should be calculated .

$$BW = 1070 \sqrt{\frac{V_i}{f_o C_2}} \text{ in } \% \text{ of } f_o$$

where

- V_i = Input voltage (volts rms), $V_i \leq 200mV$
- C_2 = Capacitance at Pin 2(µF)

Device Functional Modes (continued)

10.4.2 Operation With $V_i > 200m - V_{RMS}$

For input voltages greater than 200m-VRMS, the bandwidth depends directly from the loop filter capacitance and free running frequency product. Bandwidth is represented as a percentage of the free running frequency, and according to the product of $f_0 \cdot C_2$, it can have a variation from 2 to 14%. [Table 2](#) shows the approximate values for bandwidth in function of the product result.

Table 2. Detection Bandwidth in Function of $f_0 \times C_2$

$f_0 \times C_2$ (kHz μ F)	Bandwidth (% of f_0)
62	2
16	4
7.3	6
4.1	8
2.6	10
1.8	12
1.3	14
< 1.3	14

11 Application and Implementation

NOTE

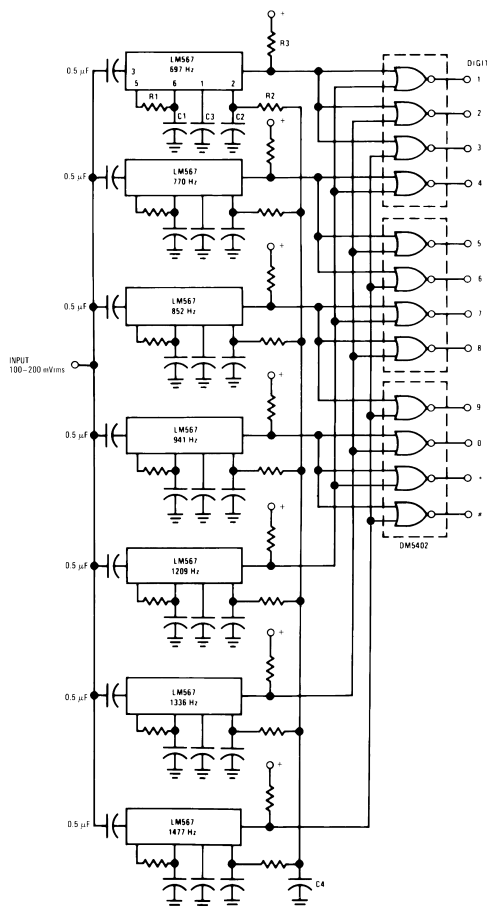
Information in the following applications sections is not part of the TI component specification, and TI does not warrant its accuracy or completeness. TI's customers are responsible for determining suitability of components for their purposes. Customers should validate and test their design implementation to confirm system functionality.

11.1 Application Information

The LM567 tone decoder is a device capable of detecting if an input signal is inside a selectable range of detection. The device has an open collector transistor output, so an external resistor is required to achieve proper logic levels. When the input signal is inside the detection band, the device output will go to a LOW state. The internal VCO free running frequency establishes the detection band central frequency. An external RC filter is required to set this frequency. The bandwidth in which the device will detect the desired frequency depends on the capacitance of loop filter terminal. Typically a 1 μ F capacitor is connected to this pin. The device detection band has a different behavior for low and high input voltage levels. Refer to the [Operation With \$V_i < 200m - V_{RMS}\$](#) section and the [Operation With \$V_i > 200m - V_{RMS}\$](#) section for more information.

11.2 Typical Applications

11.2.1 Touch-Tone Decoder



Component values (typ)

- R1 6.8 to 15k
- R2 4.7k
- R3 20k
- C1 0.10 mfd
- C2 1.0 mfd 6V
- C3 2.2 mfd 6V
- C4 250 mfd 6V

Figure 12. Touch-Tone Decoder

11.2.1.1 Design Requirements

PARAMETERS	VALUES
Supply Voltage Range	3.5 V to 8.5 V
Input Voltage Range	20 mV _{RMS} to VCC + 0.5
Input Frequency	1 Hz to 500 kHz
Output Current	Max. 15 mA

11.2.1.2 Detailed Design Procedure

11.2.1.2.1 Timing Components

To calculate the timing components for an approximated desired central detection frequency (f_0), the timing capacitor value (C_1) should be stated in order to calculate the timing resistor value (R_1). Typically for most applications, a 0.1- μ F capacitor is used.

$$f_0 \approx \frac{1.1}{R_1 C_1} \quad (2)$$

11.2.1.2.2 Bandwidth

Detection bandwidth is represented as a percentage of f_0 . It can be selected based on the input voltage levels (V_i). For $V_i < 200$ mV_{RMS},

$$BW = 1070 \sqrt{\frac{V_i}{f_0 C_2}} \text{ in \% of } f_0 \quad (3)$$

For $V_i > 200$ mV_{RMS}, refer to [Table 2](#) or [Figure 5](#).

11.2.1.2.3 Output Filter

The output filter selection is made considering the capacitor value to be at least twice the Loop filter capacitor.

$$C_3 \geq 2C_2 \quad (4)$$

11.2.1.3 Application Curve

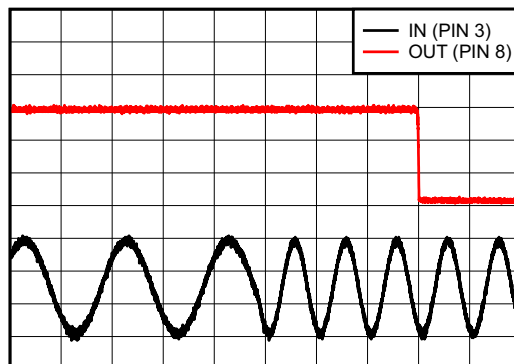
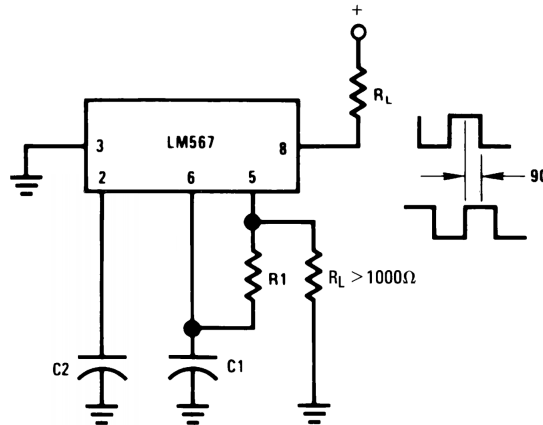


Figure 13. Frequency Detection

11.2.2 Oscillator with Quadrature Output



Connect Pin 3 to 2.8V to Invert Output

Figure 14. Oscillator with Quadrature Output

11.2.2.1 Design Requirements

Refer to the previous [Design Requirements](#) section.

11.2.2.2 Detailed Design Procedure

Refer to the previous [Detailed Design Procedure](#) section.

11.2.2.3 Application Curve

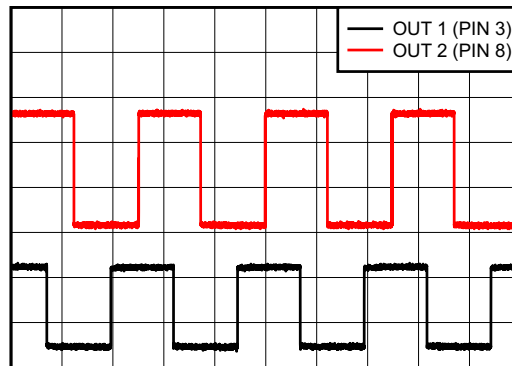


Figure 15. Quadrature Output

11.2.3 Oscillator with Double Frequency Output

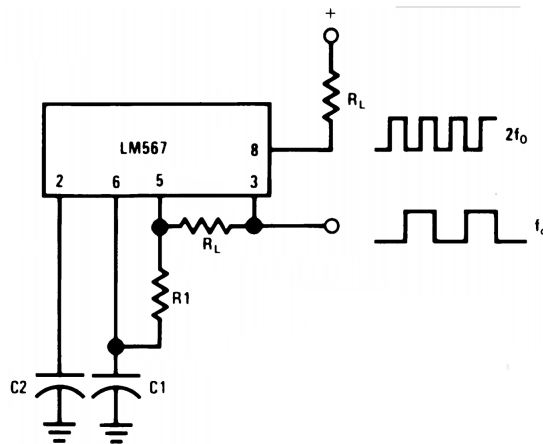


Figure 16. Oscillator with Double Frequency Output

11.2.3.1 Design Requirements

Refer to the previous [Design Requirements](#) section.

11.2.3.2 Detailed Design Procedure

Refer to the previous [Detailed Design Procedure](#) section.

11.2.3.3 Application Curve

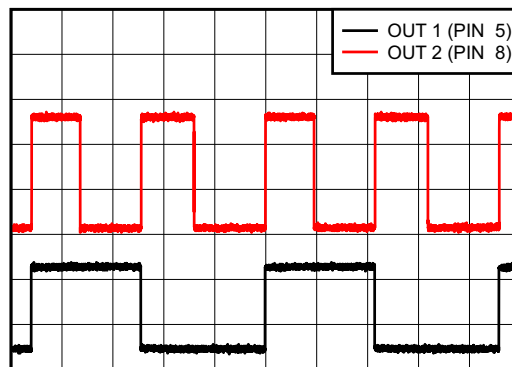


Figure 17. Double Frequency Output

11.2.4 Precision Oscillator Drive 100-mA Loads

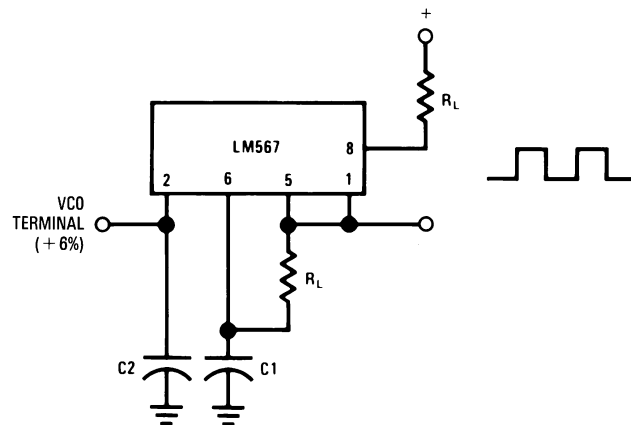


Figure 18. Precision Oscillator Drive 100-mA Loads

11.2.4.1 Design Requirements

Refer to the previous [Design Requirements](#) section.

11.2.4.2 Detailed Design Procedure

Refer to the previous [Detailed Design Procedure](#) section.

11.2.4.3 Application Curve

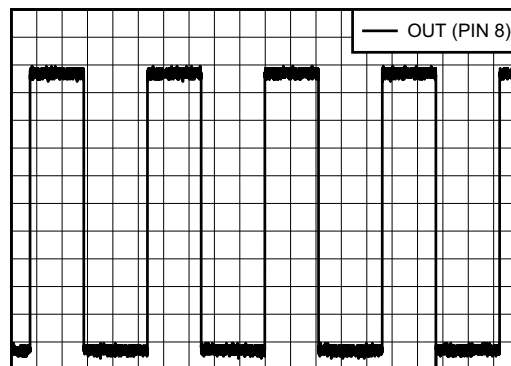
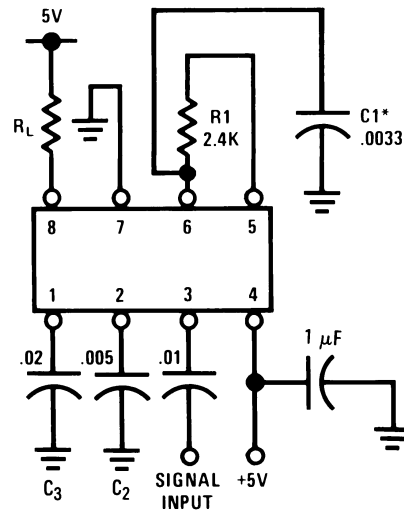


Figure 19. Output for 100-mA Load

11.2.5 AC Test Circuit



$$f_i = 100 \text{ kHz} + 5 \text{ V}$$

*Note: Adjust for $f_o = 100 \text{ kHz}$.

11.2.5.1 Design Requirements

Refer to the previous [Design Requirements](#) section.

11.2.5.2 Detailed Design Procedure

Refer to the previous [Detailed Design Procedure](#) section.

11.2.5.3 Application Curve

Refer to the previous [Application Curve](#) section.

12 Power Supply Recommendations

The LM567C is designed to operate with a power supply up to 9 V. It is recommended to have a well regulated power supply. As the operating frequency of the device could be very high for some applications, the decoupling of power supply becomes critical, so is required to place a proper decoupling capacitor as close as possible to VCC pin.

13 Layout

13.1 Layout Guidelines

The VCC pin of the LM567 should be decoupled to ground plane as the device can work with high switching speeds. The decoupling capacitor should be placed as close as possible to the device. Traces length for the timing and external filter components should be kept at minimum in order to avoid any possible interference from other close traces.

13.2 Layout Example

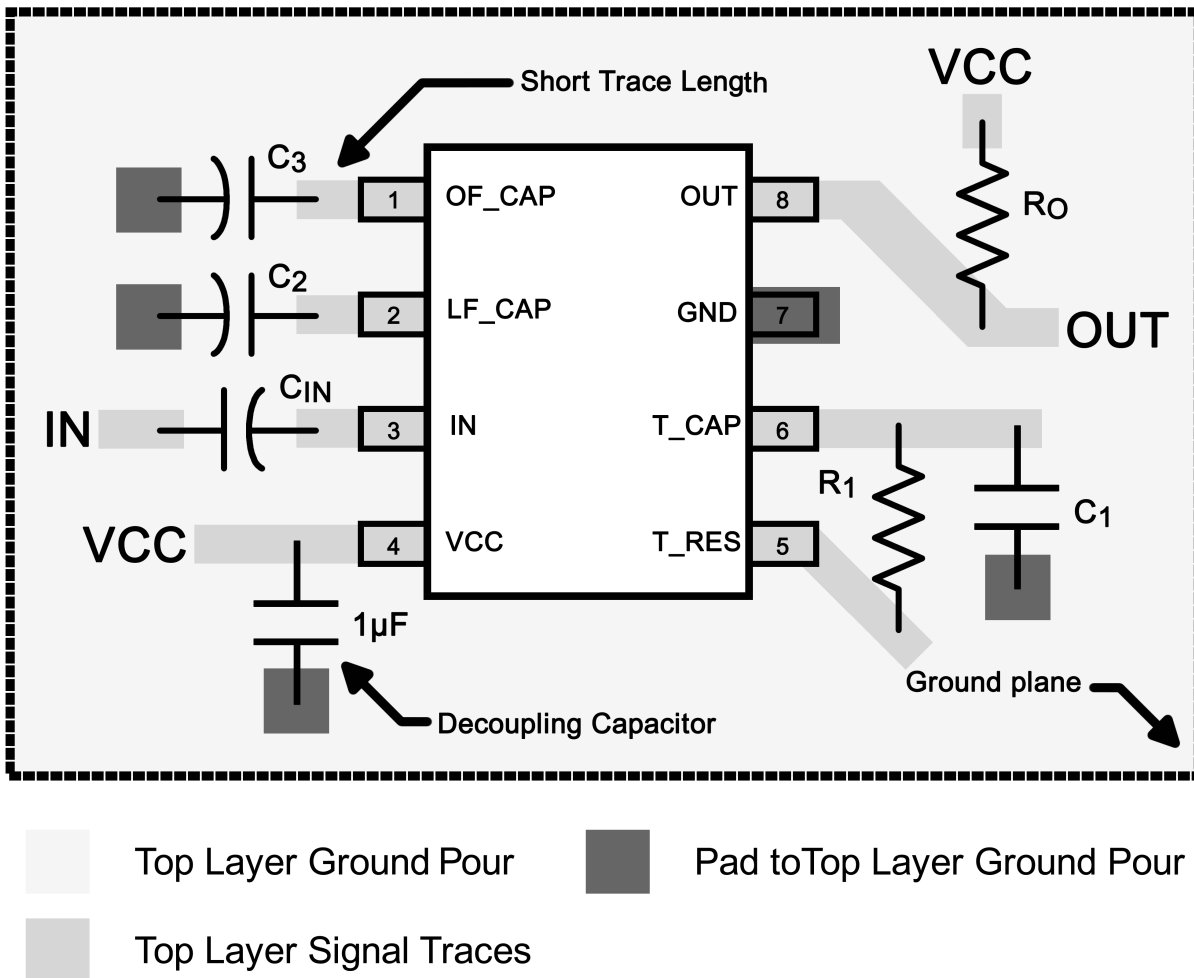


Figure 20. LM567 Layout Example

14 Device and Documentation Support

14.1 Related Links

The table below lists quick access links. Categories include technical documents, support and community resources, tools and software, and quick access to sample or buy.

Table 3. Related Links

PARTS	PRODUCT FOLDER	SAMPLE & BUY	TECHNICAL DOCUMENTS	TOOLS & SOFTWARE	SUPPORT & COMMUNITY
LM567	Click here	Click here	Click here	Click here	Click here
LM567C	Click here	Click here	Click here	Click here	Click here

14.2 Trademarks

All trademarks are the property of their respective owners.

14.3 Electrostatic Discharge Caution



These devices have limited built-in ESD protection. The leads should be shorted together or the device placed in conductive foam during storage or handling to prevent electrostatic damage to the MOS gates.

14.4 Glossary

[SLYZ022](#) — *TI Glossary*.

This glossary lists and explains terms, acronyms, and definitions.

15 Mechanical, Packaging, and Orderable Information

The following pages include mechanical, packaging, and orderable information. This information is the most current data available for the designated devices. This data is subject to change without notice and revision of this document. For browser-based versions of this data sheet, refer to the left-hand navigation.

PACKAGING INFORMATION

Orderable Device	Status (1)	Package Type	Package Drawing	Pins	Package Qty	Eco Plan (2)	Lead/Ball Finish (6)	MSL Peak Temp (3)	Op Temp (°C)	Device Marking (4/5)	Samples
LM567CM	ACTIVE	SOIC	D	8	95	TBD	Call TI	Call TI	0 to 70	LM 567CM	Samples
LM567CM/NOPB	ACTIVE	SOIC	D	8	95	Green (RoHS & no Sb/Br)	CU SN	Level-1-260C-UNLIM	0 to 70	LM 567CM	Samples
LM567CMX/NOPB	ACTIVE	SOIC	D	8	2500	Green (RoHS & no Sb/Br)	CU SN	Level-1-260C-UNLIM	0 to 70	LM 567CM	Samples
LM567CN/NOPB	ACTIVE	PDIP	P	8	40	Green (RoHS & no Sb/Br)	CU SN	Level-1-NA-UNLIM	0 to 70	LM 567CN	Samples
NE567V	OBSOLETE	PDIP	P	8		TBD	Call TI	Call TI	0 to 70	LM 567CN	

(1) The marketing status values are defined as follows:

ACTIVE: Product device recommended for new designs.

LIFEBUY: TI has announced that the device will be discontinued, and a lifetime-buy period is in effect.

NRND: Not recommended for new designs. Device is in production to support existing customers, but TI does not recommend using this part in a new design.

PREVIEW: Device has been announced but is not in production. Samples may or may not be available.

OBSOLETE: TI has discontinued the production of the device.

(2) Eco Plan - The planned eco-friendly classification: Pb-Free (RoHS), Pb-Free (RoHS Exempt), or Green (RoHS & no Sb/Br) - please check <http://www.ti.com/productcontent> for the latest availability information and additional product content details.

TBD: The Pb-Free/Green conversion plan has not been defined.

Pb-Free (RoHS): TI's terms "Lead-Free" or "Pb-Free" mean semiconductor products that are compatible with the current RoHS requirements for all 6 substances, including the requirement that lead not exceed 0.1% by weight in homogeneous materials. Where designed to be soldered at high temperatures, TI Pb-Free products are suitable for use in specified lead-free processes.

Pb-Free (RoHS Exempt): This component has a RoHS exemption for either 1) lead-based flip-chip solder bumps used between the die and package, or 2) lead-based die adhesive used between the die and leadframe. The component is otherwise considered Pb-Free (RoHS compatible) as defined above.

Green (RoHS & no Sb/Br): TI defines "Green" to mean Pb-Free (RoHS compatible), and free of Bromine (Br) and Antimony (Sb) based flame retardants (Br or Sb do not exceed 0.1% by weight in homogeneous material)

(3) MSL, Peak Temp. - The Moisture Sensitivity Level rating according to the JEDEC industry standard classifications, and peak solder temperature.

(4) There may be additional marking, which relates to the logo, the lot trace code information, or the environmental category on the device.

(5) Multiple Device Markings will be inside parentheses. Only one Device Marking contained in parentheses and separated by a "~" will appear on a device. If a line is indented then it is a continuation of the previous line and the two combined represent the entire Device Marking for that device.

⁽⁶⁾ Lead/Ball Finish - Orderable Devices may have multiple material finish options. Finish options are separated by a vertical ruled line. Lead/Ball Finish values may wrap to two lines if the finish value exceeds the maximum column width.

Important Information and Disclaimer:The information provided on this page represents TI's knowledge and belief as of the date that it is provided. TI bases its knowledge and belief on information provided by third parties, and makes no representation or warranty as to the accuracy of such information. Efforts are underway to better integrate information from third parties. TI has taken and continues to take reasonable steps to provide representative and accurate information but may not have conducted destructive testing or chemical analysis on incoming materials and chemicals. TI and TI suppliers consider certain information to be proprietary, and thus CAS numbers and other limited information may not be available for release.

In no event shall TI's liability arising out of such information exceed the total purchase price of the TI part(s) at issue in this document sold by TI to Customer on an annual basis.

TAPE AND REEL INFORMATION

QUADRANT ASSIGNMENTS FOR PIN 1 ORIENTATION IN TAPE


*All dimensions are nominal

Device	Package Type	Package Drawing	Pins	SPQ	Reel Diameter (mm)	Reel Width W1 (mm)	A0 (mm)	B0 (mm)	K0 (mm)	P1 (mm)	W (mm)	Pin1 Quadrant
LM567CMX/NOPB	SOIC	D	8	2500	330.0	12.4	6.5	5.4	2.0	8.0	12.0	Q1

TAPE AND REEL BOX DIMENSIONS



*All dimensions are nominal

Device	Package Type	Package Drawing	Pins	SPQ	Length (mm)	Width (mm)	Height (mm)
LM567CMX/NOPB	SOIC	D	8	2500	367.0	367.0	35.0

P (R-PDIP-T8)

PLASTIC DUAL-IN-LINE PACKAGE



- NOTES:
- A. All linear dimensions are in inches (millimeters).
 - B. This drawing is subject to change without notice.
 - C. Falls within JEDEC MS-001 variation BA.

D (R-PDSO-G8)

PLASTIC SMALL OUTLINE



- NOTES:
- A. All linear dimensions are in inches (millimeters).
 - B. This drawing is subject to change without notice.
 - C. Body length does not include mold flash, protrusions, or gate burrs. Mold flash, protrusions, or gate burrs shall not exceed 0.006 (0,15) each side.
 - D. Body width does not include interlead flash. Interlead flash shall not exceed 0.017 (0,43) each side.
 - E. Reference JEDEC MS-012 variation AA.

IMPORTANT NOTICE

Texas Instruments Incorporated and its subsidiaries (TI) reserve the right to make corrections, enhancements, improvements and other changes to its semiconductor products and services per JESD46, latest issue, and to discontinue any product or service per JESD48, latest issue. Buyers should obtain the latest relevant information before placing orders and should verify that such information is current and complete. All semiconductor products (also referred to herein as "components") are sold subject to TI's terms and conditions of sale supplied at the time of order acknowledgment.

TI warrants performance of its components to the specifications applicable at the time of sale, in accordance with the warranty in TI's terms and conditions of sale of semiconductor products. Testing and other quality control techniques are used to the extent TI deems necessary to support this warranty. Except where mandated by applicable law, testing of all parameters of each component is not necessarily performed.

TI assumes no liability for applications assistance or the design of Buyers' products. Buyers are responsible for their products and applications using TI components. To minimize the risks associated with Buyers' products and applications, Buyers should provide adequate design and operating safeguards.

TI does not warrant or represent that any license, either express or implied, is granted under any patent right, copyright, mask work right, or other intellectual property right relating to any combination, machine, or process in which TI components or services are used. Information published by TI regarding third-party products or services does not constitute a license to use such products or services or a warranty or endorsement thereof. Use of such information may require a license from a third party under the patents or other intellectual property of the third party, or a license from TI under the patents or other intellectual property of TI.

Reproduction of significant portions of TI information in TI data books or data sheets is permissible only if reproduction is without alteration and is accompanied by all associated warranties, conditions, limitations, and notices. TI is not responsible or liable for such altered documentation. Information of third parties may be subject to additional restrictions.

Resale of TI components or services with statements different from or beyond the parameters stated by TI for that component or service voids all express and any implied warranties for the associated TI component or service and is an unfair and deceptive business practice. TI is not responsible or liable for any such statements.

Buyer acknowledges and agrees that it is solely responsible for compliance with all legal, regulatory and safety-related requirements concerning its products, and any use of TI components in its applications, notwithstanding any applications-related information or support that may be provided by TI. Buyer represents and agrees that it has all the necessary expertise to create and implement safeguards which anticipate dangerous consequences of failures, monitor failures and their consequences, lessen the likelihood of failures that might cause harm and take appropriate remedial actions. Buyer will fully indemnify TI and its representatives against any damages arising out of the use of any TI components in safety-critical applications.

In some cases, TI components may be promoted specifically to facilitate safety-related applications. With such components, TI's goal is to help enable customers to design and create their own end-product solutions that meet applicable functional safety standards and requirements. Nonetheless, such components are subject to these terms.

No TI components are authorized for use in FDA Class III (or similar life-critical medical equipment) unless authorized officers of the parties have executed a special agreement specifically governing such use.

Only those TI components which TI has specifically designated as military grade or "enhanced plastic" are designed and intended for use in military/aerospace applications or environments. Buyer acknowledges and agrees that any military or aerospace use of TI components which have **not** been so designated is solely at the Buyer's risk, and that Buyer is solely responsible for compliance with all legal and regulatory requirements in connection with such use.

TI has specifically designated certain components as meeting ISO/TS16949 requirements, mainly for automotive use. In any case of use of non-designated products, TI will not be responsible for any failure to meet ISO/TS16949.

Products

Audio	www.ti.com/audio
Amplifiers	amplifier.ti.com
Data Converters	dataconverter.ti.com
DLP® Products	www.dlp.com
DSP	dsp.ti.com
Clocks and Timers	www.ti.com/clocks
Interface	interface.ti.com
Logic	logic.ti.com
Power Mgmt	power.ti.com
Microcontrollers	microcontroller.ti.com
RFID	www.ti-rfid.com
OMAP Applications Processors	www.ti.com/omap
Wireless Connectivity	www.ti.com/wirelessconnectivity

Applications

Automotive and Transportation	www.ti.com/automotive
Communications and Telecom	www.ti.com/communications
Computers and Peripherals	www.ti.com/computers
Consumer Electronics	www.ti.com/consumer-apps
Energy and Lighting	www.ti.com/energy
Industrial	www.ti.com/industrial
Medical	www.ti.com/medical
Security	www.ti.com/security
Space, Avionics and Defense	www.ti.com/space-avionics-defense
Video and Imaging	www.ti.com/video

TI E2E Community

e2e.ti.com