

# DLPC2607 DLP PICO Processor 2607 ASIC

## 1 Features

- Supports Reliable Operation of the 0.2-nHD, 0.24-VGA, and 0.3-WVGA DMDs
- Multi-Mode, 24-Bit Input Pixel Interfaces:
  - Supports Parallel or BT656 Bus Protocol
  - Supports Input Sizes from QVGA Through WVGA
  - Supports 1- to 60-Hz Frame Rates
  - Supports Pixel Clock up to 33.5 MHz
  - Supports Landscape and Portrait Orientations
  - Support 8-, 16-, 18-, and 24-Bit Bus Options
  - Supports 3 Input Color Bit-Depth Options:
    - RGB888, YCrCb888
    - RGB666, YCrCb666
    - RGB565, 4:2:2 YCrCb
- Pixel Data Processing:
  - Image Resizing (Scaling)
  - Frame Rate Conversion
  - Color Coordinate Adjustment
  - Automatic Gain Control
  - Programmable Degamma
  - Spatial-Temporal Multiplexing (Dithering)
  - Video Processing Support:
    - Color Space Conversion
    - 4:2:2 to 4:4:4 Chroma Interpolation
    - Field Scaled De-Interlacing
- Packaged in a 176-Pin, 0.4-mm Pitch, VFBGA
- External Memory Support:
  - 166-MHz Mobile DDR SDRAM
  - 33.3-MHz Serial Flash
- WVGA, VGA, and nHD DMD Display Support
  - DMD Bit-Plane Generation and Formatting
  - Programmable Bit-Plane Display Sequencer (Controls the LED Enables and DMD Loading)
  - 76.2-MHz Double Data Rate (DDR) DMD I/F
  - Pulse-Width Modulation (PWM) for Mirrors:
    - Auto DMD Parking at Power-Down
    - 24-Bit Bit-Depth on DMD
- System Control:
  - I<sup>2</sup>C Control of Device Configuration
  - Programmable Splash Screens
  - Programmable LED Current Control
  - DMD Power and Mirror Driver Control
  - DMD Horizontal and Vertical Display Image

Flip

- Display Image Rotation
- Flash-Based Configuration Batch Files
- I/F Sleep Still Image Power Savings Mode
- Test Support:
  - Built-In Test Pattern Generation
  - JTAG With Boundary Scan Test Support

## 2 Applications

- Embedded Mobile Projection
  - Smartphone
  - Tablet
  - Camera
  - Laptop
- Mobile Accessories
- Wearable (Near-Eye) Displays
- Battery-Operated Projectors

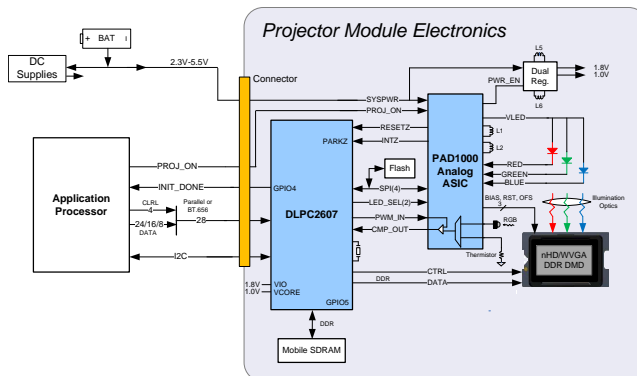
## 3 Description

The DLPC2607 is a low power DLP™ digital controller for battery powered display applications. The controller supports reliable operation of 0.3-WVGA, 0.24-VGA and 0.2-nHD DMDs. The DLPC2607 controller provides a convenient, multi-functional interface between system electronics and the DMD, enabling small form factor and low power displays.

### Device Information<sup>(1)</sup>

PART NUMBER	PACKAGE	BODY SIZE (NOM)
DLPC2607	VFBGA (176)	7.00 mm x 7.00 mm

(1) For all available packages, see the orderable addendum at the end of the data sheet.



## Table of Contents

<b>1 Features</b> .....	1	7.3 Feature Description.....	19
<b>2 Applications</b> .....	1	7.4 Programming.....	21
<b>3 Description</b> .....	1	7.5 Device Functional Modes.....	22
<b>4 Revision History</b> .....	2	<b>8 Application and Implementation</b> .....	23
<b>5 Pin Configuration and Functions</b> .....	3	8.1 Application Information.....	23
<b>6 Specifications</b> .....	8	8.2 Typical Application .....	23
6.1 Absolute Maximum Ratings .....	8	<b>9 Power Supply Recommendations</b> .....	27
6.2 ESD Ratings.....	8	9.1 System Power Considerations.....	27
6.3 Recommended Operating Conditions.....	8	9.2 System Power-Up and Power-Down Sequence .....	27
6.4 Thermal Information .....	9	9.3 System Power I/O State Considerations .....	29
6.5 Typical Current and Power Dissipation.....	9	9.4 Power-Up Initialization Sequence .....	29
6.6 I/O Characteristics.....	10	9.5 Power-Good ( $\overline{\text{PARK}}$ ) Support .....	30
6.7 Internal Pullup and Pulldown Characteristics .....	10	<b>10 Layout</b> .....	31
6.8 Parallel I/F Frame Timing Requirements .....	11	10.1 Layout Guidelines .....	31
6.9 Parallel I/F General Timing Requirements.....	11	10.2 Layout Example .....	37
6.10 Parallel I/F Max Supported Horizontal Line Rate..	12	<b>11 Device and Documentation Support</b> .....	38
6.11 BT.565 I/F General Timing Requirements .....	13	11.1 Device Support.....	38
6.12 100- to 120-Hz Operational Limitations .....	13	11.2 Community Resources.....	39
6.13 Flash Interface Timing Requirements .....	14	11.3 Trademarks .....	39
6.14 DMD Interface Timing Requirements .....	14	11.4 Electrostatic Discharge Caution.....	39
6.15 mDDR Memory Interface Timing Requirements ..	15	11.5 Glossary .....	39
<b>7 Detailed Description</b> .....	19	<b>12 Mechanical, Packaging, and Orderable Information</b> .....	39
7.1 Overview .....	19	12.1 Package Option Addendum .....	40
7.2 Functional Block Diagram .....	19		

## 4 Revision History

NOTE: Page numbers for previous revisions may differ from page numbers in the current version.

Changes from Revision C (November 2015) to Revision D	Page
<ul style="list-style-type: none"> <li>Removed table 'Compatible SPI Serial Flash Devices' from <a href="#">Serial Flash Interface</a> since listed devices are end of life. Replaced with new suggested devices as well as <a href="#">Table 4</a> which lists minimum performance specifications to determine flash device compatibility.....</li> <li>Added MSL Peak Temp to <a href="#">Packaging Information</a> .....</li> </ul>	22 40

Changes from Revision B (January 2014) to Revision C	Page
<ul style="list-style-type: none"> <li>Added <i>ESD Ratings</i> table, <i>Thermal Information</i> table, <i>Feature Description</i> section, <i>Device Functional Modes</i>, <i>Application and Implementation</i> section, <i>Power Supply Recommendations</i> section, <i>Layout</i> section, <i>Device and Documentation Support</i> section, and <i>Mechanical, Packaging, and Orderable Information</i> section .....</li> </ul>	1

Changes from Revision A (December 2013) to Revision B	Page
<ul style="list-style-type: none"> <li>Removed product preview banner.....</li> </ul>	1

Changes from Original (December 2013) to Revision A	Page
<ul style="list-style-type: none"> <li>Corrected columns for <math>I_{OH}</math> and <math>I_{OL}</math> in <a href="#">I/O Characteristics</a> .....</li> <li>Updated B38 I/O Type value for <math>V_{OH}</math> (min) in <a href="#">I/O Characteristics</a> .....</li> <li>Added additional table notes to <a href="#">I/O Characteristics</a> .....</li> <li>Added table note to <a href="#">Internal Pullup and Pulldown Characteristics</a> .....</li> <li>Corrected device reference to DLPC2607 in the notes for <a href="#">mDDR Memory Interface Timing Requirements</a> .....</li> </ul>	10 10 10 10 15



## 5 Pin Configuration and Functions

**ZVB Package  
176-Pin NFBGA  
Bottom View**

**Pin Functions <sup>(1)</sup>**

PIN		I/O		CLOCK SYSTEM	DESCRIPTION		
NAME	NO.	POWER	TYPE				
<b>DEVICE INITIALIZATION AND REFERENCE CLOCK<sup>(1)</sup></b>							
RESETZ	J14	VCC18	I1	Async	DLPC2607 power-on reset. Self-configuration starts when a low-to-high transition is detected on this pin. All ASIC power and clocks must be stable before this reset is de-asserted (hysteresis buffer). Note that the following seven signals tri-state while $\overline{\text{RESET}}$ is asserted: DMD_PWR_EN, LEDDVR_ON, LED_SEL_0, LED_SEL_1, SPICLK, SPIDOUT, SPICSZ0		
PLL_REFCLK_I	K15	VCC18 (filter)	I4	N/A	Reference clock crystal input. If an external oscillator is used in place of a crystal, then use this pin as the oscillator Input.		
PLL_REFCLK_O	J15		O14	N/A	Reference clock crystal return. If an external oscillator is used in place of a crystal, then leave this pin unconnected (floating).		
<b>FLASH INTERFACE<sup>(2)</sup></b>							
SPICLK	A4	VCC_FLSH	O24	N/A	Clock for the external SPI device or devices		
SPIDIN	B4		I2	SPICLK	Serial data input from the external SPI device or devices		
SPICSZ0	A5		O24	SPICLK	Chip select 0 output for the external SPI flash device. Active low		
SPICSZ1	C6		O24	SPICLK	Chip select 1 output for the external SPI PAD1000 device. Active low		
SPIDOUT	C5		O24	SPICLK	Serial data output to the external SPI device or devices. This pin sends address and control information as well as data when programming		
<b>MAIN VIDEO DATA AND CONTROL</b>							
$\overline{\text{PARK}}$	B8	VCC_INTF	I3	Async	DMD park control (active low) is set high to enable typical operation. It should be set high prior to releasing RESET, or within 500 $\mu\text{s}$ after releasing RESET. It should be set low a minimum of 500 $\mu\text{s}$ before any power is to be removed from the DLPC2607 (hysteresis buffer).		
LED_ENABLE	A11	VCC_INTF	I3	Async	LED enable (active high input). A logic low on this signal forces LEDDRV_ON low and LED_SEL(1:0) = b00. These signals are enabled 100 ms after LED_ENABLE transitions from low to high (hysteresis buffer).		
DBIC_CSZ	B10	VCC_INTF	I3	SCL	Unused/reserved: Should be pulled-up to VCC_INTF.		
SCL	A10	VCC_INTF	B38	N/A	I <sup>2</sup> C clock (hysteresis buffer) bidirectional, open-drain signal. An external pullup is required. No I <sup>2</sup> C activity is permitted for a minimum of 100 ms after $\overline{\text{PARK}}$ and RESET are set high.		
SDA	C10	VCC_INTF	B38	SCL	I <sup>2</sup> C data (hysteresis buffer) bidirectional, open-drain signal. An external pullup is required.		
GPIO4_INTF	C9	VCC_INTF	B34	Async	General purpose I/O 4 (hysteresis buffer). Primary usage is to indicate when auto-initialization is complete (also referred to as INIT-DONE, which is when GPIO4 transitions high then low following release of RESET) and to flag a detected error condition in the form of a logic high, pulsed Interrupt flag subsequent to INIT-DONE.		
GPIO5_INTF	B9	VCC_INTF	B34	Async	General purpose I/O 5 (hysteresis buffer). For applications that use focus motor control with a sensor, this pin is an input that is connected to the motor position sensor. For applications that use non-focus motor control with a sensor, configure this pin with an output at logic 0 and left unconnected.		
<b>MAIN VIDEO DATA AND CONTROL</b>				<b>PARALLEL RGB MODE</b>		<b>BT.656 I/F MODE</b>	
PCLK (Hysteresis)	D13	VCC_INTF	I3	N/A	Pixel clock <sup>(3)</sup>	Pixel clock <sup>(3)</sup>	
PDM_CVS_TE	H15	VCC_INTF	B34	ASYNC	Parallel data mask <sup>(4)</sup>	Unused <sup>(5)</sup>	
VSYNC_WE	H14	VCC_INTF	I3	ASYNC	Vsync <sup>(6)</sup>	Unused <sup>(5)</sup>	
HSYNC_CS	H13	VCC_INTF	I3	PCLK	Hsync <sup>(6)</sup>	Unused <sup>(5)</sup>	
DATEN_CMD	G15	VCC_INTF	I3	PCLK	Data valid <sup>(6)</sup>	Unused <sup>(5)</sup>	

(1) Each device connected to the serial peripheral interface (SPI) bus must be operated off VCC\_FLSH

(2) Each device connected to the SPI bus must be operated off VCC\_FLSH

(3) Pixel clock capture edge is software programmable.

(4) Data mask is optional for parallel bus operation. If unused, it should be pulled to ground through a resistor.

(5) Unused inputs should be pulled-down to ground through an external resistor.

(6) VSYNC, HSYNC, and data valid polarity is software programmable.

**Pin Functions <sup>(1)</sup> (continued)**

PIN		I/O		CLOCK SYSTEM	DESCRIPTION	
NAME	NO.	POWER	TYPE			
PDATA[0]	G14	VCC_ INTF	I3	PCLK	Data <sup>(7)</sup>	Data0 <sup>(7)</sup>
PDATA[1]	G13	VCC_ INTF	I3	PCLK	Data <sup>(7)</sup>	Data1 <sup>(7)</sup>
PDATA[2]	F15	VCC_ INTF	I3	PCLK	Data <sup>(7)</sup>	Data2 <sup>(7)</sup>
PDATA[3]	F14	VCC_ INTF	I3	PCLK	Data <sup>(7)</sup>	Data3 <sup>(7)</sup>
PDATA[4]	F13	VCC_ INTF	I3	PCLK	Data <sup>(7)</sup>	Data4 <sup>(7)</sup>
PDATA[5]	E15	VCC_ INTF	I3	PCLK	Data <sup>(7)</sup>	Data5 <sup>(7)</sup>
PDATA[6]	E14	VCC_ INTF	I3	PCLK	Data <sup>(7)</sup>	Data6 <sup>(7)</sup>
PDATA[7]	E13	VCC_ INTF	I3	PCLK	Data <sup>(7)</sup>	Data7 <sup>(7)</sup>
PDATA[8]	D15	VCC_ INTF	I3	PCLK	Data <sup>(7)</sup>	Unused <sup>(5)</sup>
PDATA[9]	D14	VCC_ INTF	I3	PCLK	Data <sup>(7)</sup>	Unused <sup>(5)</sup>
PDATA[10]	C15	VCC_ INTF	I3	PCLK	Data <sup>(7)</sup>	Unused <sup>(5)</sup>
PDATA[11]	C14	VCC_ INTF	I3	PCLK	Data <sup>(7)</sup>	Unused <sup>(5)</sup>
PDATA[12]	C13	VCC_ INTF	I3	PCLK	Data <sup>(7)</sup>	Unused <sup>(5)</sup>
PDATA[13]	B15	VCC_ INTF	I3	PCLK	Data <sup>(7)</sup>	Unused <sup>(5)</sup>
PDATA[14]	B14	VCC_ INTF	I3	PCLK	Data <sup>(7)</sup>	Unused <sup>(5)</sup>
PDATA[15]	A15	VCC_ INTF	I3	PCLK	Data <sup>(7)</sup>	Unused <sup>(5)</sup>
PDATA[16]	A14	VCC_ INTF	I3	PCLK	Data <sup>(7)</sup>	Unused <sup>(5)</sup>
PDATA[17]	B13	VCC_ INTF	I3	PCLK	Data <sup>(7)</sup>	Unused <sup>(5)</sup>
PDATA[18]	A13	VCC_ INTF	I3	PCLK	Data <sup>(7)</sup>	Unused <sup>(5)</sup>
PDATA[19]	C12	VCC_ INTF	I3	PCLK	Data <sup>(7)</sup>	Unused <sup>(5)</sup>
PDATA[20]	B12	VCC_ INTF	I3	PCLK	Data <sup>(7)</sup>	Unused <sup>(5)</sup>
PDATA[21]	A12	VCC_ INTF	I3	PCLK	Data <sup>(7)</sup>	Unused <sup>(5)</sup>
PDATA[22]	C11	VCC_ INTF	I3	PCLK	Data <sup>(7)</sup>	Unused <sup>(5)</sup>
PDATA[23]	B11	VCC_ INTF	I3	PCLK	Data <sup>(7)</sup>	Unused <sup>(5)</sup>

(7) PDATA(23:0) bus mapping is pixel format and source mode dependent.

**Pin Functions <sup>(1)</sup> (continued)**

PIN		I/O		CLOCK SYSTEM	DESCRIPTION											
NAME	NO.	POWER	TYPE													
<b>LED DRIVER INTERFACE</b>																
GPIO1_RPWM	N8	VCC18	O14	Async	General-purpose I/O 1 (output only). If the PAD1000 is not used, then this output must be used as the red LED PWM signal used to control the LED current. <sup>(8)</sup> If the PAD1000 is used, then this output can be used as a general purpose output controlled by the WPC processor.											
GPIO2_GPWM	P9		O14	Async	General-purpose I/O 2 (output only). If the PAD1000 is not used, then this output must be used as the green LED PWM signal used to control the LED current. <sup>(8)</sup> If the PAD1000 is used, then this output can be used as a general purpose output controlled by the WPC processor.											
GPIO3_BPWM	R8		O14	Async	General-purpose I/O 3 (output only). If the PAD1000 is not used, then this output must be used as the blue LED PWM signal used to control the LED current. <sup>(8)</sup> If the PAD1000 is used, then this output can be used as a general-purpose output controlled by the WPC processor.											
LED_SEL_0	R6		O14	Async	LED enable SELECT. Controlled by programmable DMD sequence timing (hysteresis buffer).											
LED_SEL_1	N6		O14	Async	<table border="1"> <thead> <tr> <th>LED_SEL(1:0)</th> <th>Selected LED</th> </tr> </thead> <tbody> <tr> <td>00</td> <td>None</td> </tr> <tr> <td>01</td> <td>Red</td> </tr> <tr> <td>10</td> <td>Green</td> </tr> <tr> <td>11</td> <td>Blue</td> </tr> </tbody> </table>		LED_SEL(1:0)	Selected LED	00	None	01	Red	10	Green	11	Blue
					LED_SEL(1:0)	Selected LED										
					00	None										
					01	Red										
10	Green															
11	Blue															
		These outputs should be input directly to the PAD1000 if used. If the PAD1000 is not used, then a decode circuit is required to decode the selected LED enable.														
LEDDRV_ON	P7	O14	Async	LED driver enable. Active-high output control to external LED driver logic (master enable). It is driven high 100 ms after LED_ENABLE is driven high and driven low immediately when either LED_ENABLE or PARK is driven low.												
DMD_PWR_EN	K14	O14	Async	DMD power regulator enable (active high). This is an active-high output that should be used to control DMD_V <sub>OFFSET</sub> , V <sub>BIAS</sub> , and V <sub>RESET</sub> voltages. DMD_PWR_EN is driven high when the PARK input signal is set high. However, DMD_PWR_EN is held high for 500 μs after the PARK input signal is set low before it is driven low. TI recommends a weak external pulldown resistor to keep this signal at a known state during power-up reset.												
<b>WHITE POINT CORRECTION LIGHT SENSOR I/F</b>																
CMP_OUT	A6	VCC_ 18	I1	Async	Successive approximation ADC comparator output (DLPC2607 input). Assumes a successive approximation ADC is implemented with either a light sensor or thermocouple or both feeding one input of an external comparator and the other side of the comparator driven from the CMP_PWM pin of the ASIC. If this function is not used, pull it down to ground (hysteresis buffer).											
CMP_PWM	B7		O14	Async	Successive approximation comparator pulse-width modulation input. Supplies a PWM signal to drive the successive approximation ADC Comparator used in light-to-voltage light sensor applications. If this function is not used, leave it unconnected.											
GPIO0_CMPPWR	P5		B14	Async	Power control signal for the WPC light sensor and other analog support circuits using the DLPC2607 ADC. Alternately, it provides general purpose I/O to the WPC microprocessor internal to the DLPC2607 device. If not used, leave it unconnected (hysteresis buffer).											
HWTEST_EN	A9	VCC_INTF	I3	N/A	Manufacturing test enable signal. It should be connected directly to ground on the PCB for typical operation. Includes weak internal pulldown.											
JTAGTDI	P6	VCC_18	I1	JTAGTCK	JTAG, serial data in. Includes weak internal pullup. (When JTAGRSTZ is held low, this input can be used as ICP/ WPC debug port RXD.)											
JTAGTCK	N5			N/A	JTAG, serial data clock. Includes weak internal pullup.											
JTAGTMS	N7		JTAGTCK	JTAG, test mode select. Includes weak internal pullup.												
JTAGTDO	R7		O14	JTAGTCK	JTAG, serial data out											
JTAGRSTZ	P8		I1	ASYNC	JTAG, RESET (active low). Includes weak internal pullup. This signal must be tied to ground, through an external ≤15-kΩ resistor, for typical operation.											

(8) The PAD1000 is not available for initial DLPC2607 design applications. When the PAD1000 is not used, all LED PWM signals are forced high when LEDDRV\_ON = 0, software LED control is disabled, or the sequence stops.

**Pin Functions <sup>(1)</sup> (continued)**

PIN		I/O		CLOCK SYSTEM	DESCRIPTION	
NAME	NO.	POWER	TYPE			
<b>TEST AND DEBUG INTERFACES</b>						
TSTPT_0	B6	VCC18	B18	Async	Test pin 0 – Sampled as an input test mode selection control upon release of <b>RESET</b> , and then driven as an output. Includes weak internal pulldown. <sup>(9)</sup> Normal use: Reserved for test output (ICP/ WPC debug port TXD). Should be left open or unconnected for typical use. Alternative use: If focus motor control is used, use this pin as the motor driver chip enable. An external pullup should not be applied to this pin to avoid putting the DLPC2607 device in a test mode.	
TSTPT_1	A8	VCC18	B18	Async	Test pin 1 – Sampled as an input test mode selection control upon release of <b>RESET</b> , and then driven as an output. Includes weak internal pulldown. <sup>(9)</sup> Normal use: Reserved for test output. Should be left open or unconnected for typical use. Alternative use: If focus motor control is used, use this pin as the motor driver data bit1 (LSB). An external pullup should not be applied to this pin to avoid putting the DLPC2607 device in a test mode.	
TSTPT_2	C7	VCC18	B18	Async	Test pin 2 – Sampled as an input test mode selection control upon release of <b>RESET</b> , and then driven as an output. Includes weak internal pulldown. <sup>(9)</sup> Normal use: Reserved for test output. Should be left open or unconnected for typical use. Alternative use: If focus motor control is used, use this pin as the motor driver data bit2. An external pullup should not be applied to this pin to avoid putting the DLPC2607 device in a test mode.	
TSTPT_3	B5	VCC18	B18	Async	Test Pin 3 – Sampled as an input test mode selection control upon release of <b>RESET</b> , and then driven as an output. Includes weak internal pulldown. <sup>(9)</sup> Normal use: Reserved for test output. Should be left open or unconnected for typical use. Alternative use: If focus motor control is used, use this pin as the motor driver motor driver data bit3. An external pullup should not be applied to this pin to avoid putting the DLPC2607 device in a test mode.	
TSTPT_4	A7	VCC18	B18	Async	Test pin 4 – Sampled as an input test mode selection control upon release of <b>RESET</b> , and then driven as an output. Includes weak internal pulldown. <sup>(9)</sup> Normal use: Reserved for test output. Should be left open or unconnected for typical use. Alternative use: If focus motor control is used, use this pin as the motor driver data bit4 (MSB). An external pullup should not be applied to this pin to avoid putting the DLPC2607 device in a test mode.	
					<b>Without External Pullup</b> <sup>(9)</sup>	<b>With External Pullup</b> <sup>(10)</sup>
					Enables auto-initialization from flash	Disables auto-initialization and facilitates flash programming via I <sup>2</sup> C of a blank flash
TSTPT_5	C8	VCC18	B18	Async	Test pin 5 – Sampled as an input test mode selection control upon release of <b>RESET</b> and then driven as an output. Includes weak internal pulldown. <sup>(9)</sup> Normal use: Reserved for test output. Should be left open or unconnected for typical use. Alternative use: Not yet defined. An external pullup should not be applied to this pin to avoid putting the DLPC2607 device in a test mode.	
TSTPT_6	N9	VCC18	B18	Async	Test pin 6 and PLL REFCLK frequency selection – Sampled as an input test mode selection control upon release of <b>RESET</b> and then driven as an output. Includes weak internal pulldown. <sup>(9)</sup> Normal use: Reserved for test output. Should be left open or unconnected for typical use. Alternative use: Not yet defined. This pin is sampled upon de-assertion of <b>RESTZ</b> to determine REFCLK frequency selection. DLPC2607 I <sup>2</sup> C address is set corresponding to the sampled input value as follows:	
					<b>Without External Pullup</b> <sup>(9)</sup>	<b>With External Pullup</b> <sup>(10)</sup>
					PLL assumes REFCLK = 16.67 MHz	PLL assumes REFCLK = 8.33 MHz

(9) If operation does not call for an external pullup and there is no external logic that might overcome the weak internal pulldown resistor, then this I/O can be left open or unconnected for typical operation. If operation does not call for an external pullup, but there is external logic that might overcome the weak internal pulldown resistor, then TI recommends an external pullup resistor to ensure a logic low.

(10) External pullup resistor must be 15 kΩ or less.

**Pin Functions <sup>(1)</sup> (continued)**

PIN		I/O		CLOCK SYSTEM	DESCRIPTION				
NAME	NO.	POWER	TYPE						
TSTPT_7	R9	VCC18	B18	Async	<p>Test pin 7 and I<sup>2</sup>C address selection – Sampled as an input test mode selection control upon release of <math>\overline{\text{RESET}}</math>, and then driven as an output. Includes weak internal pulldown.</p> <p>Normal use: Reserved for test output. Should be left open or unconnected for typical use.</p> <p>Alternative use: Not yet defined.</p> <p>This pin is sampled upon deassertion of <math>\overline{\text{RESET}}</math> to determine I<sup>2</sup>C address selection. DLPC2607 I<sup>2</sup>C address is set corresponding to the sampled input value as follows:</p> <table border="1"> <thead> <tr> <th>Without External Pullup <sup>(9)</sup></th> <th>With External Pullup <sup>(10)</sup></th> </tr> </thead> <tbody> <tr> <td>I<sup>2</sup>C slave Write Address = x36 I<sup>2</sup>C slave Read Address = x37</td> <td>I<sup>2</sup>C slave Write Address = x3A I<sup>2</sup>C slave Read Address = x3B</td> </tr> </tbody> </table>	Without External Pullup <sup>(9)</sup>	With External Pullup <sup>(10)</sup>	I <sup>2</sup> C slave Write Address = x36 I <sup>2</sup> C slave Read Address = x37	I <sup>2</sup> C slave Write Address = x3A I <sup>2</sup> C slave Read Address = x3B
Without External Pullup <sup>(9)</sup>	With External Pullup <sup>(10)</sup>								
I <sup>2</sup> C slave Write Address = x36 I <sup>2</sup> C slave Read Address = x37	I <sup>2</sup> C slave Write Address = x3A I <sup>2</sup> C slave Read Address = x3B								
<b>POWER AND GROUND <sup>(11)</sup></b>									
VDD10	D5, D9, F4, F12, J4, J12, M6, M8, M11				1-V core logic power supply				
VDD_PLL	H12				1-V power supply for the internal PLL				
VCC18	C4, D8, E4, G3, K3, K12, L4, M5, M9, M12, N4, N12				1.8-V power supply for all I/O other than the host, video interface, and SPI flash buses				
VCC_FLSH	D6				1.8-V, 2.5-V, or 3.3-V power supply for SPI flash bus I/O				
VCC_INTF	D11, E12				1.8-V, 2.5-V, or 3.3-V power supply for all I/Os on the host or video interface (includes I <sup>2</sup> C, PDATA, video syncs, $\overline{\text{PARK}}$ , and LED_ENABLE pins)				
GND	D4, D7, D10, D12, G4, G12, H4, K4, L12, M4, M7, M10				Common ground				
RTN_PLL	J13				Analog ground return for the PLL (This must be connected to the common ground GND through a ferrite.)				
Reserved	C2, C3, N2, N3				No connects. Other signals can be routed through the ball on these pins (versus going around them) to ease routing if desired				

(11) 134 total signal I/O pins, 38 total power or ground pins, and 4 total reserved pins



## 6 Specifications

### 6.1 Absolute Maximum Ratings

over operating free-air temperature (unless otherwise noted)<sup>(1)</sup>

		MIN	MAX	UNIT
Voltage <sup>(2)</sup>	V <sub>DD10</sub>	-0.5	1.32	V
	V <sub>DD_PLL</sub>	-0.5	1.32	
	V <sub>CC18</sub>	-0.5	2.75	
	V <sub>CC_FLASH</sub>	-0.5	3.6	
	V <sub>CC_INTF</sub>	-0.5	3.6	
	V <sub>I</sub> 1.8 V, 2.5 V, 3.3 V <sup>(3)</sup>	-0.5	3.6	
T <sub>J</sub>	Operating junction temperature	-30	105	°C
T <sub>A</sub>	Operating ambient temperature <sup>(4) (5)</sup>	-30	85	°C
T <sub>stg</sub>	Storage temperature	-40	125	°C

- (1) Stresses beyond those listed under *Absolute Maximum Ratings* may cause permanent damage to the device. These are stress ratings only, and functional operation of the device at these or any other conditions beyond those indicated under *Recommended Operating Conditions* is not implied. Exposure to absolute-maximum-rated conditions for extended periods may affect device reliability.
- (2) All voltage values are with respect to GND and are at the device not at the power supply.
- (3) Applies to external input and bidirectional buffers.
- (4) TI strongly recommends I/O simulations (using IBIS models) for operation near the extremes of the supported ambient operating temperature range to ensure that the PCB design provides acceptable signal integrity.
- (5) The operating ambient temperature range assumes zero forced air flow, a JEDEC JESD51 junction-to-ambient thermal resistance value at zero forced air flow (R<sub>θJA</sub> at 0 m/s), a JEDEC JESD51 standard test card and environment, along with minimum and maximum estimated power dissipation across process, voltage, and temperature. Thermal conditions vary by application, which impacts R<sub>θJA</sub>. Thus, maximum operating ambient temperature varies by application.
  - (a) T<sub>A\_min</sub> = T<sub>J\_min</sub> - (P<sub>D\_min</sub> × R<sub>θJA</sub>) = -30°C - (0.0 W × 64.96°C/W) = -30°C
  - (b) T<sub>A\_min</sub> = T<sub>J\_min</sub> - (P<sub>D\_min</sub> × R<sub>θJA</sub>) = 105°C - (0.3 W × 64.96°C/W) = 85°C

### 6.2 ESD Ratings

			VALUE	UNIT
V <sub>(ESD)</sub>	Electrostatic discharge	Human body model (HBM), per ANSI/ESDA/JEDEC JS-001, all pins <sup>(1)</sup>	±2000	V
		Charged device model (CDM), per JEDEC specification JESD22-C101, all pins <sup>(2)</sup>	±500	

- (1) JEDEC document JEP155 states that 500-V HBM allows safe manufacturing with a standard ESD control process.
- (2) JEDEC document JEP157 states that 250-V CDM allows safe manufacturing with a standard ESD control process.

### 6.3 Recommended Operating Conditions

over operating free-air temperature range (unless otherwise noted)

		MIN	NOM	MAX	UNIT	
V <sub>DD10</sub>	1-V supply voltage, core logic	0.95	1	1.05	V	
V <sub>DD_PLL</sub>	Analog voltage for PLL	0.95	1	1.05	V	
V <sub>CC18</sub>	1.8-V supply voltage (for all non-flash and host interface signals)	1.71	1.8	1.89	V	
V <sub>CC_FLASH</sub>	Configuration and control I/O supply voltage (variable)	1.8-V LVCMOS	1.71	1.8	1.89	V
		2.5-V LVCMOS	2.375	2.5	2.625	V
		3.3-V LVCMOS	3.135	3.3	3.465	V
V <sub>CC_INTF</sub>	Pixel interface supply voltage (variable)	1.8-V LVCMOS	1.71	1.8	1.89	V
		2.5-V LVCMOS	2.375	2.5	2.625	V
		3.3-V LVCMOS	3.135	3.3	3.465	V
V <sub>I</sub>	Input voltage	-0.3		V <sub>CCIO</sub> <sup>(1)</sup> + 0.3	V	
V <sub>O</sub>	Output voltage	0		V <sub>CCIO</sub> <sup>(1)</sup>	V	
t <sub>RAMP</sub>	Power supply ramp time	10			µs	

- (1) V<sub>CCIO</sub> represents the actual supply voltage applied to the corresponding I/O.

## 6.4 Thermal Information

over operating free-air temperature range (unless otherwise noted)

THERMAL METRIC <sup>(1)</sup>		DLPC2607	UNIT
		ZVB (NFBGA)	
		176 PINS	
R <sub>θJC</sub>	Junction-to-case thermal resistance	19.52	°C/W
R <sub>θJA</sub>	Junction-to-air thermal resistance (with no forced airflow)	64.96	°C/W

(1) For more information about traditional and new thermal metrics, see the *Semiconductor and IC Package Thermal Metrics* application report (SPRA953).

## 6.5 Typical Current and Power Dissipation

over operating free-air temperature range (unless otherwise noted)

SUPPLY	TYPICAL VOLTAGE (V)	WVGA APPLICATIONS		nHD APPLICATIONS	
		TYPICAL CURRENT (mA)	TYPICAL POWER (mW)	TYPICAL CURRENT (mA)	TYPICAL POWER (mW)
<b>I/F Sleep Mode Disabled<sup>(1) (2) (3)</sup></b>					
VCC_INTF	1.8	0	0.1	0	0.1
VCC_FLSH <sup>(4)</sup>	2.5	0	0	0	0
VCC18	1.8	28.2	50.8	22.7	40.9
VDD_PLL	1	2.8	2.8	2.8	2.8
VDD10	1	39	39.0	37.7	37.7
Total			92.7		81.5
<b>I/F Sleep Mode Enabled<sup>(1) (2) (3)</sup></b>					
VCC_INTF	1.8	0	0.1	0	0.1
VCC_FLSH	2.5	0	0	0	0
VCC18 <sup>(4)</sup>	1.8	27	48.6	22.5	40.4
VDD_PLL	1	2.8	2.8	2.8	2.8
VDD10	1	30.6	30.6	29.3	29.3
Total			82.1		72.6

- (1) I/F sleep is a programmable parameter that can be set to save power in free-run, sequencer mode when displaying still images on the DMD. When I/F sleep is enabled, any images applied to the input bus to the DLPC2607 device are ignored.
- (2) Power for both I/F sleep mode disabled and I/F sleep mode enabled was measured while transferring a full 864 × 480 landscape image at periodic 30 frames per second. The image was a 12 × 6 color checkerboard.
- (3) All measurements were taken on a TI internal reference design board at 25°C ambient.
- (4) VCC\_FLSH power was 0 at the time of the measurement because flash accesses are limited when the ASIC is being configured.

## 6.6 I/O Characteristics

Voltage and current characteristics for each I/O type signal listed previously in the DLPC2607 table are summarized in *I/O Characteristics*. All inputs and outputs are LVCMOS.<sup>(1)</sup>

I/O TYPE	DESCRIPTION	VCCIO (NOM) (V)	V <sub>IL</sub> (min) (V)	V <sub>IL</sub> (MAX) (V)	V <sub>IH</sub> (MIN) (V)	V <sub>IH</sub> (MAX) (V)	I <sub>IN</sub> (MAX) (μA)	V <sub>OH</sub> (MIN) (V)	V <sub>OL</sub> (MAX) (V)	I <sub>OH</sub> (MIN) (mA)	I <sub>OL</sub> (MIN) (mA)	ITS (MAX) (μA)
I1	Input (STD)	1.8	-0.3	0.5	1.2	3	±10					
I2	Input (FLSH)	1.8	-0.3	0.5	1.2	3	±10					
		2.5	-0.3	0.7	1.7	3.6	±10					
		3.3	-0.3	0.8	2	3.6	±10					
I3	Input (INTF)	1.8	-0.3	0.5	1.2	3	±10					
		2.5	-0.3	0.7	1.7	3.6	±10					
		3.3	-0.3	0.8	2	3.6	±10					
I4	Input (REFCLK)	1.8	-0.3	0.5	1.2	3	±10					
O14	1x output (STD/REFCLK)	1.8						1.25	0.4	2.89	2.58	±10
O24	1x output (FLSH)	1.8						1.25	0.4	2.89	2.58	±10
		2.5						1.7	0.7	6.3	6.2	±10
		3.3						2.4	0.4	9.38	5.29	±10
O58	2x output (DMD)	1.8						1.25	0.4	5.78	6.41	±10
O64 <sup>(10)</sup>	1x output (MEM)	1.8						1.53	0.19	4	4	±10
O74 <sup>(10)</sup>	1x output (MEM DIFF) <sup>(11)</sup>	1.8						1.53	0.19	4	4	±10
B14	1x bidirectional (STD) output	1.8	-0.3	0.5	1.2	3	±10	1.25	0.4	2.89	2.58	±10
B18 <sup>(12)</sup>	2x bidirectional (STD) output	1.8	-0.3	0.5	1.2	3	±10	1.25	0.4	5.72	5.15	±10
B34	1x bidirectional (INTF) output	1.8	-0.3	0.5	1.2	3	±10	1.25	0.4	2.89	2.58	±10
		2.5	-0.3	0.7	1.7	3.6	±10	1.7	0.7	6.3	6.2	±10
		3.3	-0.3	0.8	2	3.6	±10	2.4	0.4	9.38	5.29	±10
B38	2x bidirectional (INTF) output	1.8	-0.3	0.5	1.2	3	±10	2.4	0.4	5.72	5.15	±10
		2.5	-0.3	0.7	1.7	3.6	±10	1.7	0.7	12.7	12.4	±10
		3.3	-0.3	0.8	2.0	3.6	±10	1.25	0.4	18.68	10.57	±10
B64 <sup>(10)</sup>	1x bidirectional (MEM) output	1.8	-0.3	0.57	1.19	2.2	±10	1.53	0.19	4	4	±10

- (1) Pin PLL\_REFCLK\_I is a crystal oscillator input pin and is not tested during VIH/VIL testing.
- (2) V<sub>IL</sub> (min) is the absolute minimum voltage that should be applied to each corresponding pin.
- (3) V<sub>OH</sub> (max) is the maximum voltage that should be applied to each corresponding pin.
- (4) Input leakage current with no internal pullup or pulldown. V<sub>IN</sub> = 0 or V<sub>IN</sub> = VCCIO where VCCIO = I/O supply voltage
- (5) I<sub>OH</sub> = - rated current
- (6) I<sub>OL</sub> = + rated current
- (7) V<sub>OH</sub> = V<sub>OH</sub> max
- (8) V<sub>OL</sub> = V<sub>OL</sub> max
- (9) Tri-state output leakage current. V<sub>IN</sub> = 0 or V<sub>IN</sub> = VCCIO where VCCIO = I/O supply voltage
- (10) O64, O74, and B64 buffers are tested to only 100 μA for IOH/IOL due to tester limitations.
- (11) The O74 mDDR differential clock (CK) output is simply a pair of single-ended drivers driven by a true and complementary signal.
- (12) B18 buffers are not tested for I<sub>IH</sub>.

## 6.7 Internal Pullup and Pulldown Characteristics

The resistance depends on the supply voltage level applied to the I/O.<sup>(1) (2)</sup>

	VCCIO =	MIN	MAX	UNIT
Weak pullup resistance	3.3 V	N/A	N/A	kΩ
	2.5 V	33	89	
	1.8 V	50.3	157.3	
Weak pulldown resistance	3.3 V	17.8	79.6	kΩ
	2.5 V	37	109	
	1.8 V	51.8	184.1	

- (1) The description column identifies whether the corresponding signal includes an internal pullup or pulldown resistor.
- (2) Due to tester limitations, only the 1.8-V pullup resistors are measured and no pulldown resistors are measured.

## 6.8 Parallel I/F Frame Timing Requirements

			MIN	MAX	UNIT
$t_{p\_vsw}$	Pulse duration – VSYNC_WE high	50% reference points	1		lines
$t_{p\_vbp}$	Vertical back porch – Time from the leading edge of VSYNC_WE to the leading edge HSYNC_CS for the first active line. <sup>(1)</sup>	50% reference points	2		lines
$t_{p\_vfp}$	Vertical front porch – Time from the leading edge of the HSYNC_CS following the last active line in a frame to the leading edge of VSYNC_WE. <sup>(1)</sup>	50% reference points	1		lines
$t_{p\_tvb}$	Total vertical blanking – Time from the leading edge of HSYNC_CS following the last active line of one frame to the leading edge of HSYNC_CS for the first active line in the next frame. This is equal to the sum of Vertical back porch ( $t_{p\_vbp}$ ) + Vertical front porch ( $t_{p\_vfp}$ ).	50% reference points	12		lines
$t_{p\_hsw}$	Pulse duration – HSYNC_CS high	50% reference points	4	128	PCLKs
$t_{p\_hbp}$	Horizontal back porch – Time from rising edge of HSYNC_CS to rising edge of DATAEN_CMD.	50% reference points	4		PCLKs
$t_{p\_hfp}$	Horizontal front porch – Time from falling edge of DATAEN_CMD to rising edge of HSYNC_CS.	50% reference points	8		PCLKs
$t_{p\_thh}$	Total horizontal blanking – Sum of horizontal front and back porches	50% reference points			<sup>(2)</sup> PCLKs

- (1) The programmable parameter vertical sync line delay (I<sup>2</sup>C: 0x23) must be set such that:  
 $6 - \text{Vertical front porch } (t_{p\_vfp})' \text{ (min 0)} \leq \text{Vertical sync line delay} \leq \text{Vertical back porch } (t_{p\_vbp}) - 2 \text{ (max 15)}$ . The default value for vertical sync line delay is set to 5; thus, only a vertical back porch less than 7 requires potential action.
- (2) Total horizontal blanking is driven by the max line rate for a given source, which is a function of resolution and orientation. See [Parallel I/F Max Supported Horizontal Line Rate](#) for max line rate for each source and display combination.  $t_{p\_thb} = \text{Roundup} [(1000 \times f_{\text{clock}}) / \text{LR}] - \text{APPL}$  where  $f_{\text{clock}}$  = Pixel clock rate in MHz, LR = Line rate in kHz, and the number of active pixels per (horizontal) line is APPL. If  $t_{p\_thb}$  is calculated to be less than  $t_{p\_hbp} + t_{p\_hfp}$ , then the pixel clock rate is too low, or the line rate is too high, and one or both must be adjusted.

## 6.9 Parallel I/F General Timing Requirements

			MIN	MAX	UNIT
$f_{\text{clock}}$	Clock frequency, PCLK		1	33.5	MHz
$t_{p\_clkper}$	Clock period, PCLK	50% reference points	29.85	1000	ns
$t_{p\_clkjit}$	Clock jitter, PCLK	Max $f_{\text{clock}}$	<sup>(1)</sup>	<sup>(1)</sup>	
$t_{p\_wh}$	Pulse-duration low, PCLK	50% reference points	10		ns
$t_{p\_wl}$	Pulse-duration high, PCLK	50% reference points	10		ns
$t_{p\_su}$	Setup time – HSYNC_CS, DATEN_CMD, PDATA (23:0) valid before the active edge of PCLK <sup>(2)</sup>	50% reference points	3		ns
$t_{p\_h}$	Hold time – HSYNC_CS, DATEN_CMD, PDATA (23:0) valid after the active edge of PCLK <sup>(2)</sup>	50% reference points	3		ns
$t_t$	Transition time – All signals	20% to 80% reference points	0.2	4	ns

- (1) Clock jitter (in ns) should be calculated using this formula:  $\text{Jitter} = (1 / f_{\text{clock}} - 28.35 \text{ ns})$ . Setup and hold times must be met during clock jitter.
- (2) See [Figure 2](#).

## 6.10 Parallel I/F Max Supported Horizontal Line Rate

DMD	PARALLEL BUS SOURCE	LANDSCAPE FORMAT		PORTRAIT FORMAT	
		RESOLUTION (HxV)	MAX LINE RATE (kHz)	RESOLUTION (HxV)	MAX LINE RATE (kHz)
0.3 WVGA and 0.24 VGA diamond	NSTC <sup>(1)</sup>	720 x 240 <sup>(2)</sup>	17	Not supported	N/A
	PAL <sup>(1)</sup>	720 x 288 <sup>(2)</sup>	20	Not supported	N/A
	QVGA	320 x 240 <sup>(2)</sup>	17	240 x 320 <sup>(2)</sup>	22
	QWVGA	427 x 240 <sup>(2)</sup>	17	240 x 427 <sup>(2)</sup>	27
	nHD	640 x 360 <sup>(2)</sup>	25	360 x 640 <sup>(2)</sup>	42
	3:2 VGA	640 x 430 <sup>(2)</sup>	30	430 x 640 <sup>(2)</sup>	45
	4:3 VGA	640 x 480 <sup>(2)</sup>	34	480 x 640 <sup>(2)</sup>	45
	WVGA-720	720 x 480 <sup>(2)</sup>	34	480 x 720 <sup>(2)</sup>	51
	WVGA-752	752 x 480 <sup>(2)</sup>	34	480 x 752 <sup>(2)</sup>	53
	WVGA-800	800 x 480 <sup>(2)</sup>	34	480 x 800 <sup>(2)</sup>	56
	WVGA-852	852 x 480 <sup>(2)</sup>	34	480 x 852 <sup>(2)</sup>	56
	WVGA-853	853 x 480 <sup>(2)</sup>	34	480 x 853 <sup>(2)</sup>	56
	WVGA-854	854 x 480 <sup>(2)</sup>	34	480 x 854 <sup>(2)</sup>	56
	WVGA-864	864 x 480 <sup>(2)</sup>	34	480 x 864 <sup>(2)</sup>	56
0.2 nHD Manhattan	NSTC <sup>(1)</sup>	720 x 240 <sup>(2)</sup>	32	Not supported	N/A
	PAL <sup>(1)</sup>	720 x 288 <sup>(2)</sup>	39	Not supported	N/A
	QVGA	320 x 240	32	240 x 320 <sup>(2)</sup>	42
	QWVGA	427 x 240	32	240 x 427 <sup>(2)</sup>	52
	nHD	640 x 360	48	360 x 640 <sup>(2)</sup>	79
	3:2 VGA	640 x 430 <sup>(2)</sup>	50	430 x 640 <sup>(2)</sup>	74
	4:3 VGA	640 x 480 <sup>(2)</sup>	50	480 x 640 <sup>(2)</sup>	66
	WVGA-720	720 x 480 <sup>(2)</sup>	44	480 x 720 <sup>(2)</sup>	66
	WVGA-752	752 x 480 <sup>(2)</sup>	42	480 x 752 <sup>(2)</sup>	66
	WVGA-800	800 x 480 <sup>(2)</sup>	40	480 x 800 <sup>(2)</sup>	66
	WVGA-852	852 x 480 <sup>(2)</sup>	37	480 x 852 <sup>(2)</sup>	66
	WVGA-853	853 x 480 <sup>(2)</sup>	37	480 x 853 <sup>(2)</sup>	66
	WVGA-854	854 x 480 <sup>(2)</sup>	37	480 x 854 <sup>(2)</sup>	66
WVGA-864	864 x 480 <sup>(2)</sup>	37	480 x 864 <sup>(2)</sup>	66	

(1) NTSC and PAL are assumed to be interlaced sources

(2) Not supported for 100- to 120-Hz operation

## 6.11 BT.656 I/F General Timing Requirements

The DLPC2607 ASIC input interface supports the industry standard BT.656 parallel video interface. See the appropriate ITU-R BT.656 specification for detailed interface timing requirements. BT.656 data bits should be mapped to the DLPC2607 PDATA bus as shown in [Figure 3](#). <sup>(1)</sup>

			MIN	MAX	UNIT
$f_{\text{clock}}$	Clock frequency, PCLK		1	33.5	MHz
$t_{\text{p\_clkper}}$	Clock period, PCLK	50% reference points	29.85	1000	ns
$t_{\text{p\_clkjit}}$	Clock jitter, PCLK <sup>(2)</sup>	Maximum $f_{\text{clock}}$	(2)	(2)	
$t_{\text{p\_wh}}$	Pulse duration low, PCLK	50% reference points	10		ns
$t_{\text{p\_wl}}$	Pulse duration high, PCLK	50% reference points	10		ns
$t_{\text{p\_su}}$	Setup time – HSYNC, DATEN, PDATA(23:0) valid before the active edge of PCLK	50% reference points	3		ns
$t_{\text{p\_h}}$	Hold time – HSYNC, DATEN, PDATA(23:0) valid after the active edge of PCLK	50% reference points	3		ns
$t_{\text{t}}$	Transition time – All signals	20% to 80% reference points	0.2	4	ns

- (1) The BT.656 I/F accepts 8-bit per color, 4:2:2 YCb/Cr data encoded per the industry standard though PDATA(7:0) on the active edge of PCLK (that is, programmable) as shown in [Figure 2](#).
- (2) Clock jitter should be calculated using this formula:  $\text{Jitter} = (1 / f_{\text{clock}} - 28.35 \text{ ns})$ . Setup and hold times must be met during clock jitter.

## 6.12 100- to 120-Hz Operational Limitations

**NOTE:** It is assumed that a front-end device ahead of the DLPC2607 device converts all 3-D sources to the 3-D format defined previously and provides any needed left-eye or right-eye selection control directly to the 3-D glasses (that is, the DLPC2607 device does not control the glasses). Note that the DLPC2607 device includes a double buffer frame memory, which causes the displayed image to be delayed one frame relative to its input. This requires left or right eye-frame shutter control to be inverted prior to being sent to the glasses.

SOURCE	RESOLUTION (APPL x ALPF)	MIN FRAME RATE (Hz)	NOM FRAME RATE (Hz)	MAX FRAME RATE (Hz)	MIN TVB (tp_tvb) (LINES)	MAX LINE RATE (kHz)	MIN LINE RATE (kHz)	MIN CLOCK RATE (MHz)
nHD	640 x 360	99	100	101	12	48	(1)	(2)
WQVGA	427 x 240	99	100	101	12	32	(1)	(2)
QVGA	320 x 240	99	100	101	12	32	(1)	(2)
nHD	640 x 360	118.8	120	121.2	12	48	(1)	(2)
WQVGA	427 x 240	118.8	120	121.2	12	32	(1)	(2)
QVGA	320 x 240	118.8	120	121.2	12	32	(1)	(2)

- (1) Use the following equation to determine the minimum line rate for a given application. The application cannot be supported if the calculated minimum line rate exceeds the maximum line rate defined elsewhere in this table;  
 $\text{Line\_Rate\_min (kHz)} = \text{Frame\_Rate\_max (Hz)} \times [\text{ALPF} + \text{TVB}] / 1000$   
 Where: TVB = Total vertical blanking (in lines)  
 ALPF = Active lines per frame  
 Frame\_Rate\_max = Max frame rate including all expected wander
- (2) The following equation should be used to determine the minimum pixel clock rate for a given application. The application cannot be supported if the calculated minimum pixel clock rate exceeds the max pixel clock rate defined in [Parallel I/F General Timing Requirements](#).  
 $\text{Pixel\_Clock\_min (MHz)} = \text{Line\_Rate\_max (kHz)} \times (\text{APPL} + 12) / 1000$   
 Where: APPL = Active pixels per line  
 Line\_Rate\_max = Max line rate including all expected wander

## 6.13 Flash Interface Timing Requirements

The DLPC2607 ASIC flash memory interface consists of a SPI flash serial interface at 33.3 MHz (nominal). <sup>(1) (2)</sup>

			MIN	MAX	UNIT
$f_{\text{clock}}$	Clock frequency, SPI_CLK <sup>(3)</sup>		33.3266	33.34	MHz
$t_{\text{p\_clkper}}$	Clock period, SPI_CLK	50% reference points	29.994	30.006	ns
$t_{\text{p\_wh}}$	Pulse duration low, SPI_CLK	50% reference points	10		ns
$t_{\text{p\_wl}}$	Pulse duration high, SPI_CLK	50% reference points	10		ns
$t_{\text{t}}$	Transition time – all signals	20% to 80% reference points	0.2	4	ns
$t_{\text{p\_su}}$	Setup time – SPI_DIN valid before SPI_CLK falling edge	50% reference points	10		ns
$t_{\text{p\_h}}$	Hold time – SPI_DIN valid after SPI_CLK falling edge	50% reference points	0		ns
$t_{\text{p\_clqv}}$	SP_ICLK clock low to output valid time – SPIDOUT and SPI_CSZ	50% reference points		1	ns
$t_{\text{p\_clqx}}$	SPI_CLK clock low output hold time – SPI_DOUT and SPI_CSZ	50% reference points	-1		ns

- (1) Standard SPI protocol is to transmit data on the falling edge of SPI\_CLK and capture data on the rising edge. The DLPC2607 device does transmit data on the falling edge, but it captures data on the falling edge rather than the rising edge. This provides support for SPI devices with long clock-to-Q timing. The DLPC2607 device hold capture timing is set to facilitate reliable operation with standard external SPI protocol devices.
- (2) With the above output timing, the DLPC2607 device provides the external SPI device 14-ns input set-up and 14-ns input hold relative to the rising edge of SPI\_CLK.
- (3) This range includes the 200 ppm of the external oscillator (but no jitter).

## 6.14 DMD Interface Timing Requirements

The DLPC2607 ASIC DMD interface consists of a 76.19-MHz (nominal) DDR output-only interface with LVCMOS signaling. (see <sup>(1)</sup>)

			MIN	MAX	UNIT
$f_{\text{clock}}$	Clock frequency, DMD_DCLK and DMD_SAC_CLK <sup>(2)</sup>		76.198	76.206	MHz
$t_{\text{p\_clkper}}$	Clock period, DMD_DCLK and DMD_SAC_CLK	50% reference points	13.123	15	ns
$t_{\text{p\_wh}}$	Pulse duration low, DMD_DCLK and DMD_SAC_CLK	50% reference points	6.2		ns
$t_{\text{p\_wl}}$	Pulse duration high, DMD_DCLK and DMD_SAC_CLK	50% reference points	6.2		ns
$t_{\text{t}}$	Transition time – all signals	20% to 80% reference points	0.3	2	ns
$t_{\text{p\_su}}$	Output setup time – DMD_D(14:0), DMD_SCTRL, DMD_LOADB and DMD_TRC relative to both rising and falling edges of DMD_DCLK <sup>(3) (4)</sup>	50% reference points		1.5	ns
$t_{\text{p\_h}}$	Output hold time – DMD_D(14:0), DMD_SCTRL, DMD_LOADB and DMD_TRC signals relative to both rising and falling edges of DMD_DCLK <sup>(3) (4)</sup>	50% reference points		1.5	ns
$t_{\text{p\_d1\_skew}}$	DMD data skew – DMD_D(14:0), DMD_SCTRL, DMD_LOADB, and DMD_TRC signals relative to each other <sup>(5)</sup>	50% reference points		0.2	ns
$t_{\text{p\_clk\_skew}}$	Clock skew – DMD_DCLK and DMD_SAC_CLK relative to each other	50% reference points		0.2	ns
$t_{\text{p\_d2\_skew}}$	DAD/SAC data skew - DMD_SAC_BUS, DMD_DRC_OEZ <sup>(6)</sup> , DMD_DRC_BUS, and DMD_DRC_STRB signals relative to DMD_SAC_CLK	50% reference points		0.2	ns

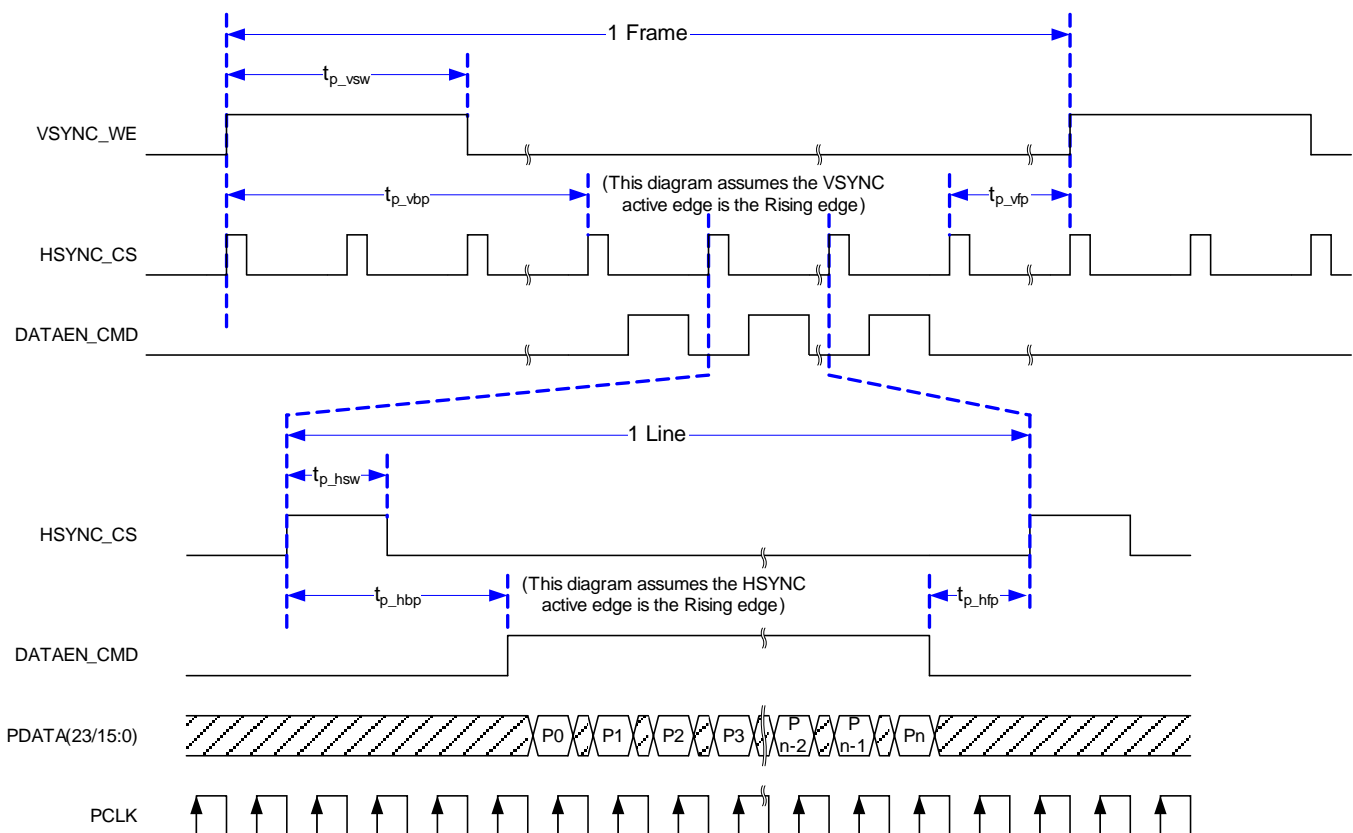
- (1) Assumes a 30-Ω series termination for all DMD interface signals (except DAD\_DMD\_OEZ)
- (2) This range includes the 200 ppm of the external oscillator (but no jitter).
- (3) Assumes minimum DMD setup time = 1 ns and minimum DMD hold time = 1 ns
- (4) Output setup and hold numbers already account for controller clock jitter. Only routing skew and DMD setup/hold must be considered in system timing analysis.
- (5) Assumes DMD data routing skew = 0.1 ns max
- (6) DMD\_DAD\_OEZ requires a 30- to 100-kΩ external pullup resistor connected to VCC18 to achieve proper timing.

## 6.15 mDDR Memory Interface Timing Requirements

The DLPC2607 controller mDDR memory interface consists of a 16-bit wide, mDDR interface (that is, LVCMOS signaling) operated at 133.33 MHz (nominal). (see <sup>(1)</sup> <sup>(2)</sup> <sup>(3)</sup>)

		MIN	MAX	UNIT
$t_{\text{CYCLE}}$	Cycle-time reference	7500		ps
$t_{\text{CH}}$	CK high pulse width <sup>(4)</sup>	2700		ps
$t_{\text{CL}}$	CK low pulse width <sup>(4)</sup>	2700		ps
$t_{\text{DQSH}}$	DQS high pulse width <sup>(4)</sup>	2700		ps
$t_{\text{DQSL}}$	DQS low pulse width <sup>(4)</sup>	2700		ps
$t_{\text{WAC}}$	CK to address and control outputs active	-2870	2870	ps
$t_{\text{QAC}}$	CK to DQS output active		200	ps
$t_{\text{DAC}}$	DQS to DQ and DM output active	-1225	1225	ps
$t_{\text{DQSRs}}$	Input (read) DQS and DQ skew <sup>(5)</sup>		1000	ps

- (1) This includes the 200 ppm of the external oscillator (but no jitter).
- (2) Output setup and hold numbers already account for controller clock jitter. Only routing skew and memory setup/hold must be considered in system timing analysis.
- (3) Assumes a 30- $\Omega$  series termination on all signal lines.
- (4) CK and DQS pulse duration specifications for the DLPC2607 assume it is interfacing to a 166-MHz mDDR device. Even though these memories are only operated at 133.33 MHz, according to memory vendors, the rated  $t_{\text{CK}}$  specification (that is 6 ns) can be applied to determine minimum CK and DQS pulse duration requirements to the memory.
- (5) Note that DQS must be within the  $t_{\text{DQSRs}}$  read data-skew window, but need not be centered.



**Figure 1. Parallel I/F Frame Timing**



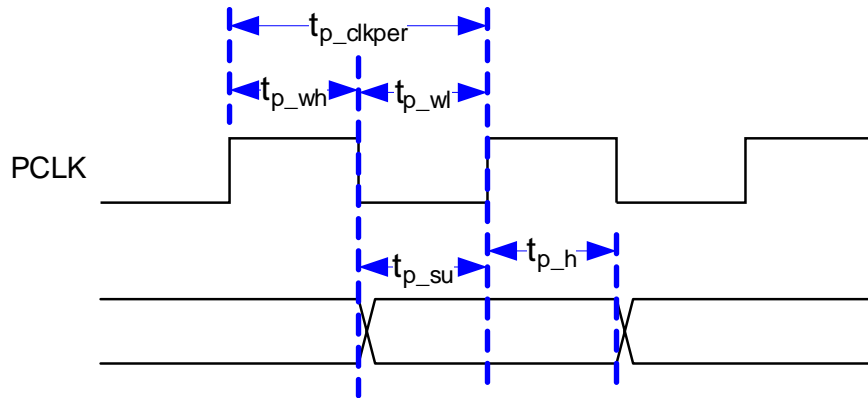


Figure 2. Parallel and BT.656 I/F General Timing

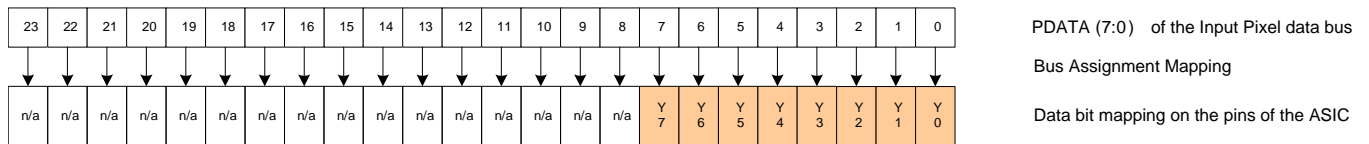


Figure 3. DLPC2607 PDATA Bus – BT.656 I/F Mode Bit Mapping (YCrCb 4:2:2 Source)

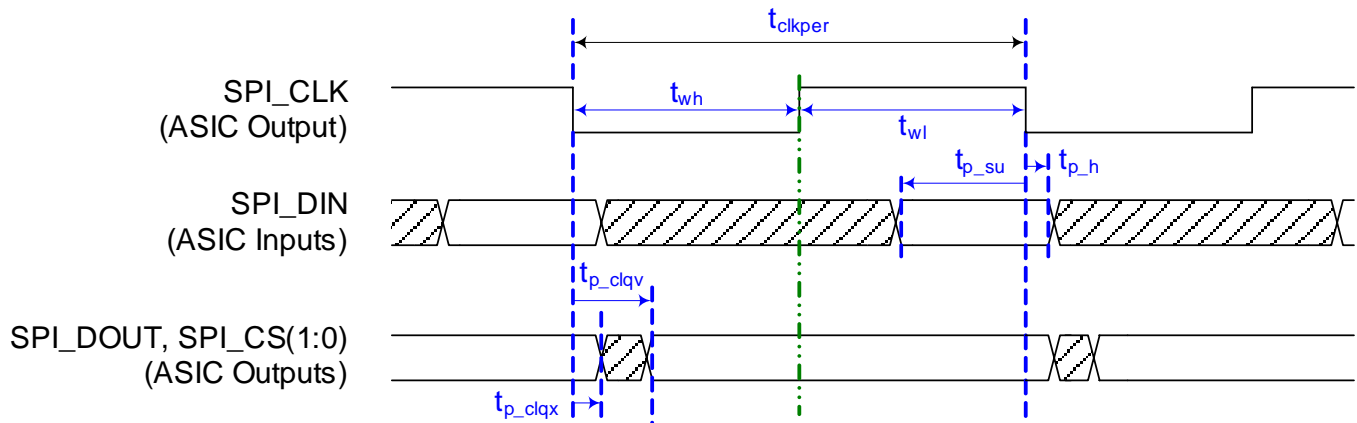


Figure 4. Flash I/F Timing

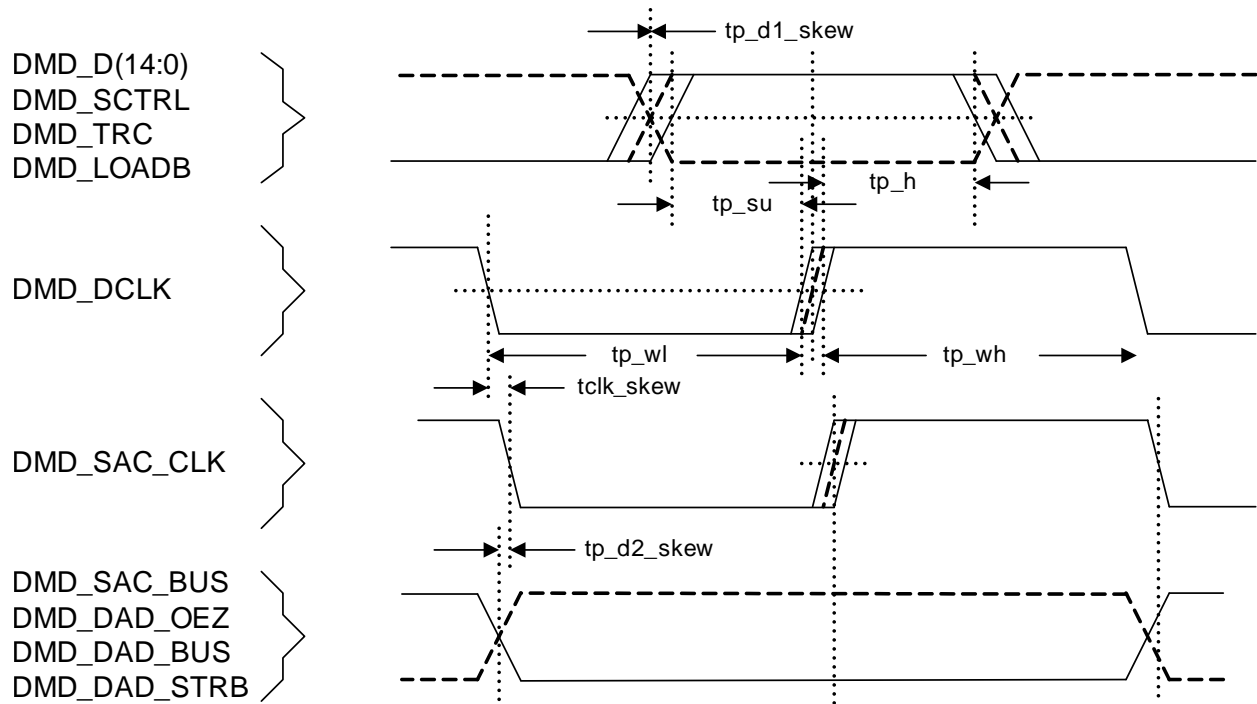


Figure 5. DMD I/F Timing

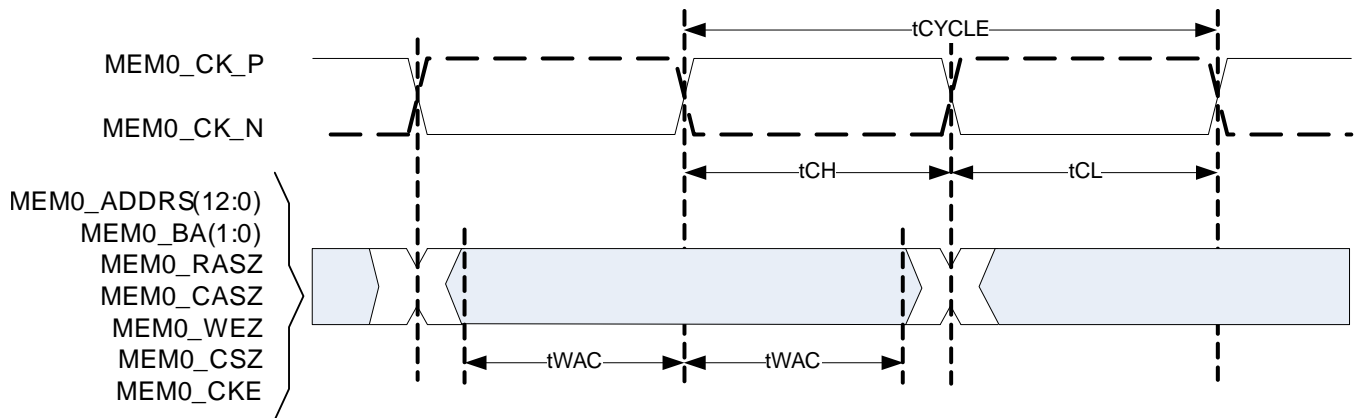


Figure 6. mDRR Memory Address and Control Timing

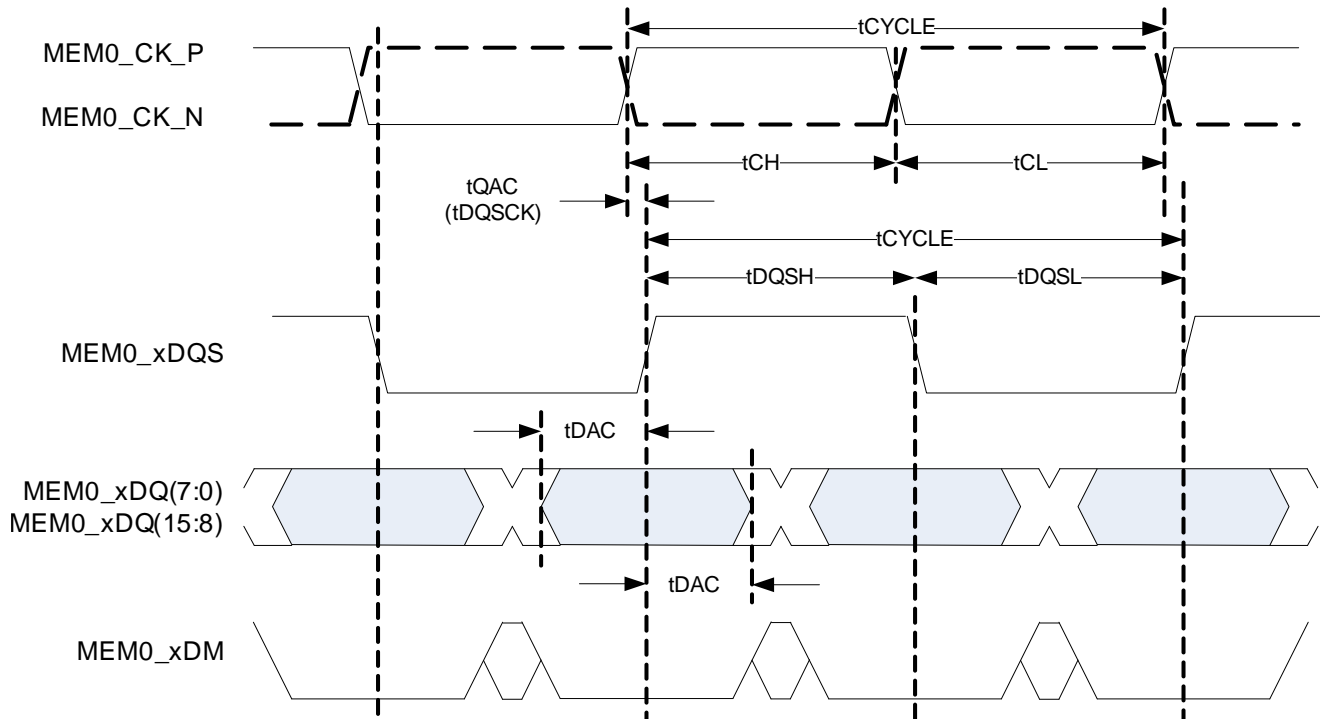


Figure 7. mDRR Memory Write Ddat Timing

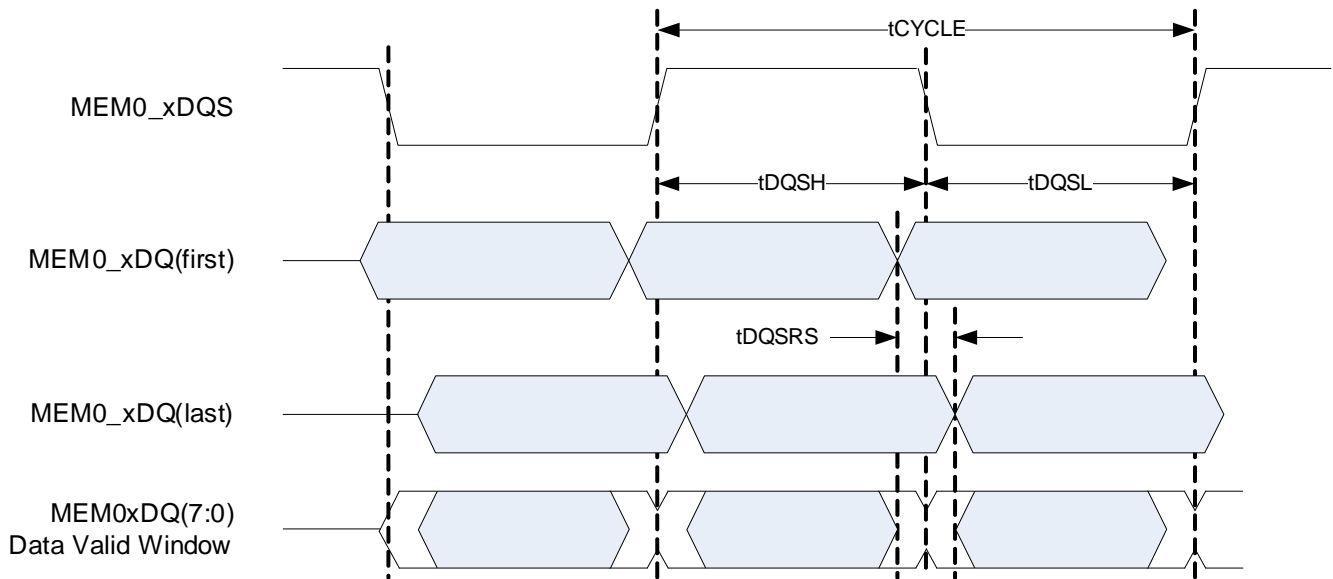


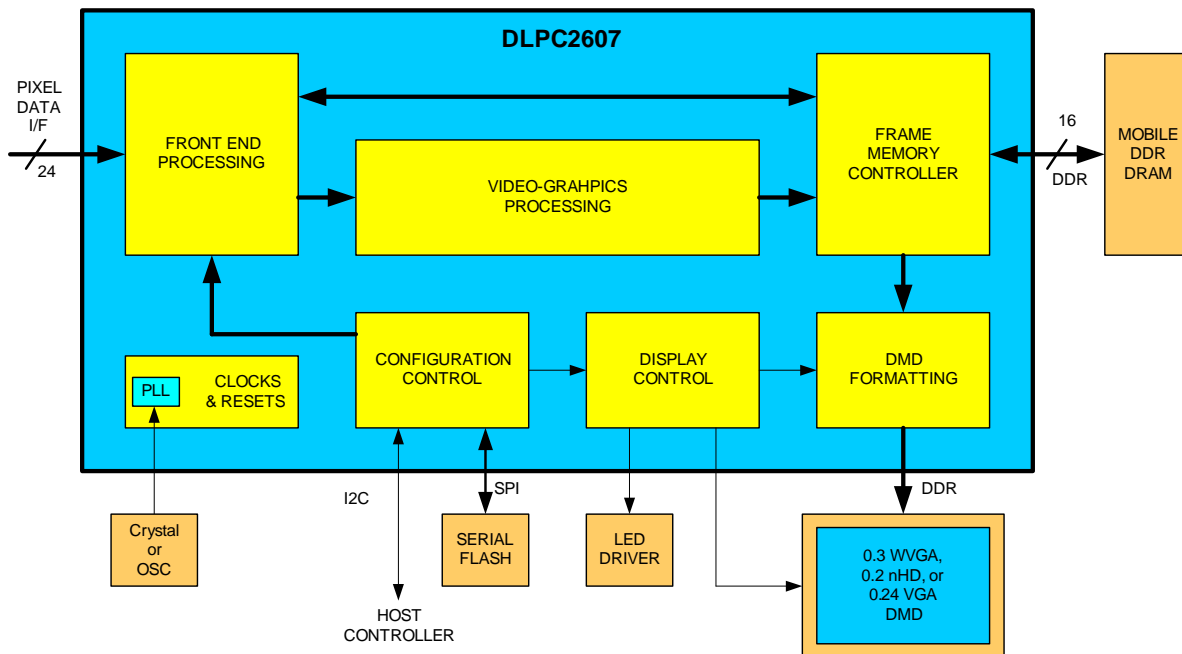
Figure 8. mDDR Memory Read Data Timing

## 7 Detailed Description

### 7.1 Overview

The DLPC2607 is the display controller for the 0.3-WVGA, 0.24-VGA and 0.2-nHD DMDs. Both the controller and the DMD must be used in conjunction with each other for reliable operation of the DMD. The DLPC2607 display controller provides interfaces and data/image processing functions that are optimized for small form factor and low power display applications. Applications include pico projectors, smart projectors, screen less display, interactive display, wearable displays and many more. In typical systems a separate applications processor is used to provide various multimedia functionality (such as video decoder, HDMI receiver, VGA, SD card, or USB I/F chip).

### 7.2 Functional Block Diagram



### 7.3 Feature Description

#### 7.3.1 Parallel Bus Interface

The parallel bus interface complies with standard graphics interface protocol, which includes a vertical sync signal (VSYNC\_WE), horizontal sync signal (HSYNC\_CS), optional data valid signal (DATAEN\_CMD), a 24-bit data bus (PDATA), and a pixel clock (PCLK). The user can program the polarity of both syncs and the active edge of the clock. [Figure 1](#) shows the relationship of these signals. The data valid signal (DATAEN\_CMD) is optional in that the DLPC2607 device provides auto-framing parameters that can be programmed to define the data valid window based on pixel and line counting relative to the horizontal and vertical syncs.

In addition to these standard signals, an optional side-band signal (PDM\_CVS\_TE) is available, which allows the user to stop the periodic frame updates without losing the displayed image. When PDM\_CVS\_TE is active, it acts as a data mask and does not allow the source image to be propagated to the display. A programmable PDM polarity parameter determines if it is active high or active low. This parameter defaults to make PDM\_CVS\_TE active high. Therefore, if this function is not desired, tie it to a logic low on the PCB. PDM\_CVS\_TE is restricted to change only during vertical blanking. Note that VSYNC\_WE must remain active at all times (in Lock-to-VSYNC mode) or the display sequencer stops and causes the LEDs to be shut off.

The parallel bus interface supports six data transfer formats:

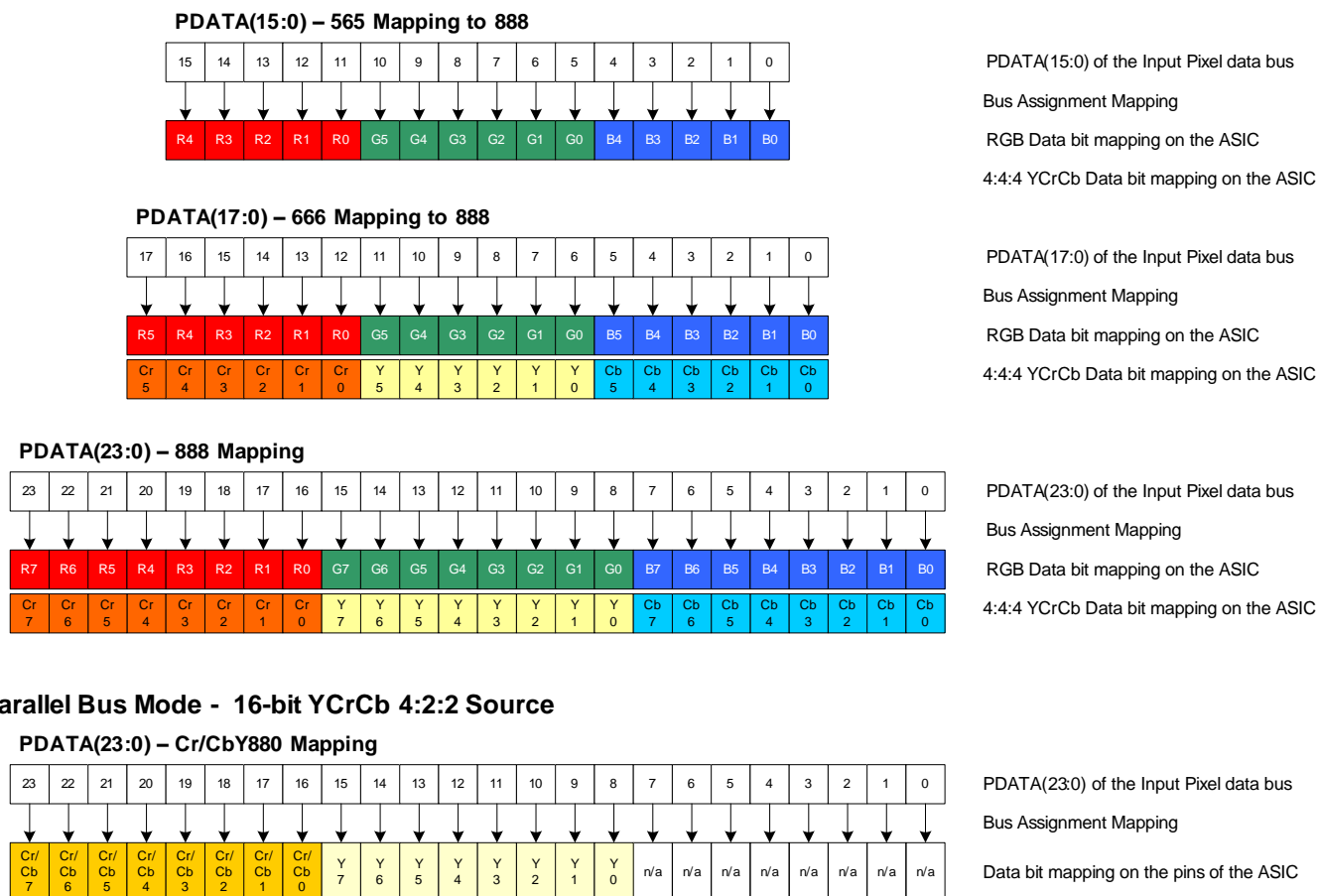
- 16-bit RGB565
- 18-bit RGB666

**Feature Description (continued)**

- 18-bit 4:4:4 YCrCb666
- 24-bit RGB888
- 24-bit 4:4:4 YCrCb888
- 16-bit 4:2:2 YCrCb (standard sampling assumed to be Y0Cb0, Y1Cr0, Y2Cb2, Y3Cr2, Y4Cb4, Y5Cr4, ...)

Figure 9 shows the required PDATA(23:0) bus mapping for these six data transfer formats.

**Parallel Bus Mode – 4:4:4 RGB and YCrCb Sources**



**Figure 9. PDATA Bus – Parallel I/F Mode Bit Mapping**

**7.3.2 100- to 120-Hz 3-D Display Operation**

The DLPC2607 device supports 100- to 120-Hz 3-D display operation, but is limited to a narrow set of configurations. 3-D operation is limited to:

- 0.2-nHD DMDs only
- nHD, WQVGA and QVGA source resolutions
- Parallel bus interface only (all pixel formats are supported)
- Landscape source and display orientation only
- Non-interlaced video-graphics only
- 100-Hz ±1% or 120-Hz ±1% source frame rates
- Unpacked, full resolution, frame sequential, 3-D format (that is each 100- or 120-Hz source frame contains a single, full resolution, eye frame separated by VSYNCs, where an eye frame contains image data for a single left or right eye; not both)
- Minimum line rates that satisfy the high frame rates

## Feature Description (continued)

To support 3-D operation, run the DLPC2607 device in Lock-to-VSYNC mode with 1× frame rate multiplication (that is, no frame rate multiplication). Each DMD frame is displayed at the source frame rate in the order it is received.

Because of the high frame rate of the source, the source line rate must be much higher than typical, but still cannot exceed the rates defined in [Parallel I/F Max Supported Horizontal Line Rate](#). The minimum line rate is limited by the maximum frame rate and minimum total vertical blanking (TVB). [100- to 120-Hz Operational Limitations](#) provides a summary of the line rate range assuming the minimum TVB.

## 7.4 Programming

### 7.4.1 Serial Flash Interface

The DLPC2607 device uses an external SPI serial flash memory device for configuration support. The minimum required size depends on the desired minimum number of sequences, CMT tables, and splash options while the maximum supported is 16 Mb. [Table 1](#) provides the list of the configuration options.

**Table 1. Serial Flash Support Features by Density<sup>(1)</sup>**

TARGET FLASH DENSITY (Mb)	QUANTITY OF FEATURES THAT CAN BE SUPPORTED						
	OPTICAL TEST SPLASH SCREENS	STANDARD SPLASH SCREENS	SERIES DATA SECTOR	UNIT DATA SECTOR	ODM DATA SECTOR	DLP DISPLAY SEQUENCES <sup>(2)</sup>	CMT TABLES PER SEQUENCE <sup>(3)</sup>
4 Mb	0	1	1	1	1	16	7
8 Mb	0	3	1	1	1	16	7
16 Mb	1	4	1	1	1	16	7

(1) All rows in this table have passed DVT at TI.

(2) Assumes individual DLP display sequences are limited to 5 KB each

(3) An equal number of CMT tables are required for each sequence (CMT tables define the DeGamma Curve). The DLPC2607 device uses a single SPI, employing SPI mode 0 protocol, operating at a frequency of 33.3 MHz. It supports two independent SPI chip selects. However, the primary flash must be connected to SPI chip select 0 (SPICS0) because the auto-initialization routine is always executed from the device connected to this chip select. The auto-initialization routine executed from flash consists of the following:

- The DLPC2607 device first uploads the size and location of the auto-initialization routine from address range 0x0000 through 0x0007 of the serial flash memory connected to SPICS0.
- The DLPC2607 device then uploads the actual auto-initialization routine to its ICP program memory from the serial flash memory connected to SPICS0.
- The DLPC2607 device then executes an auto-init routine, which includes uploading default control parameter values, uploading mailbox memory contents, turning on the sequence and LEDs, and then enabling the display.
- Upon completion of the auto-initialization routine, the DLPC2607 signals INIT DONE with GPIO4\_INTF.

The DLPC2607 device should support any flash device that is compatible with these modes of operation. However, the DLPC2607 device does not support the Normal (slow) Read Opcode, and thus cannot automatically adapt protocol and clock rate based on the flash's electronic signature ID. The flash instead uses a fixed SPI clock and assumes certain attributes of the flash have been ensured by PCB design. The DLPC2607 device also assumes the flash supports address auto-incrementing for all read operations. [Table 2](#) and [Table 3](#) list the specific instruction OpCode and timing compatibility requirements for a DLPC2607 device compatible flash.

**Table 2. SPI Flash Instruction OpCode and Timing Compatibility Requirements**

SPI FLASH COMMAND	OPCODE (hex)	ADDRESS BYTES	DUMMY BYTES	MIN CLOCK RATE
Fast READ (single output)	0x0B	3	1	33.3 MHz
All others	Can vary	Can vary	Can vary	33.3 MHz

**Table 3. SPI Flash Key Timing Parameter Compatibility Requirements**

	MIN	MAX	UNIT
Minimum chip select high time		300	ns
Minimum output hold time	0		ns
Maximum output valid time		9	ns

**Table 3. SPI Flash Key Timing Parameter Compatibility Requirements (continued)**

	MIN	MAX	UNIT
Minimum data in setup time		5	ns
Minimum data in hold time		5	ns

The DLPC2607 device does not have any specific page, block, or sector size requirements, except that programming with the I<sup>2</sup>C interface requires the use of page mode programming. However, if the user would like to use a portion of the serial flash for storing external data (such as calibration data) with the I<sup>2</sup>C interface, then the minimum sector size must be considered as it drives minimum erase size. Note that use of serial flash for storing external data may impact the number of features that can be supported.

**NOTE**

The DLPC2607 device does not drive the  $\overline{\text{HOLD}}$  (active low hold) or  $\overline{\text{WP}}$  (active low write protect) pins on the flash device; thus, these pins should be tied to a logic high on the PCB with an external pullup.

The DLPC2607 device supports 1.8-, 2.5-, or 3.3-V serial flash devices. Some suggested devices would include the W25Q16DWSSIG or MX25U4035. If a different flash device is used, [Table 4](#) lists the minimum performance specifications necessary.

**Table 4. Specifications of Compatible SPI Serial Flash Devices**

SPI Flash Timing Parameter	MIN	MAX
Minimum Chip Select High Time		300ns
Minimum Output Hold Time	0ns	
Maximum Output Valid Time		9ns
Minimum Data in Setup Time		5ns
Minimum Data in Hold Time		5ns
Minimum Clock Rate	33.3MHz	

### 7.4.2 Serial Flash Programming

The flash can be programmed through the DLPC2607 device over I<sup>2</sup>C (for directions, see the *DLPC2607 Software Programmer's Guide*, [DLPU013](#)) or by driving the SPI pins of the flash directly while the DLPC2607 device I/O are tri-stated. SPICLK, SPIDOUT, and SPICZ0 I/O can be tri-stated by holding  $\overline{\text{RESET}}$  in a logic-low state while power is applied. Note that SPICSZ1 is not tri-stated by this same action.

### 7.5 Device Functional Modes

DLPC2607 has two functional modes (ON/OFF) controlled by a single pin PROJ\_ON:

- When pin PROJ\_ON is set high, the projector automatically powers up and an image is projected from the DMD.
- When pin PROJ\_ON is set low, the projector automatically powers down to save power.

## 8 Application and Implementation

### NOTE

Information in the following applications sections is not part of the TI component specification, and TI does not warrant its accuracy or completeness. TI's customers are responsible for determining suitability of components for their purposes. Customers should validate and test their design implementation to confirm system functionality.

### 8.1 Application Information

The DLPC2607 controller supports reliable operation of .3-WVGA, .24-VGA and .2-nHD DMDs and must be always used with the DMD to provide a reliable display solution for various data and video display applications. The DMDs are spatial light modulators which reflect incoming light from an illumination source to one of two directions, with the primary direction being into a projection or collection optic. Each application is derived primarily from the optical architecture of the system and the format of the data coming into the DLPC2607. Applications of interest include accessory projectors, projectors embedded in display devices like notebooks, laptops, tablets, and set top box. Other applications include wearable (near-eye or head mounted) displays, interactive display and low latency gaming display.

### 8.2 Typical Application

Figure 10 shows a typical accessory projector application. For this application, the DLPC2607 device is controlled by a separate control processor (typically a MSP430) and the image data is received from a TVP5151 video decoder device. For this application, the ASIC only supports periodic sources. A common application when using DLPC2607 controller is for creating an accessory Pico projector for a smartphone, tablets or any other display source. The DLPC2607 in the accessory Pico projector typically receives images from a host processor or a multi media processor.

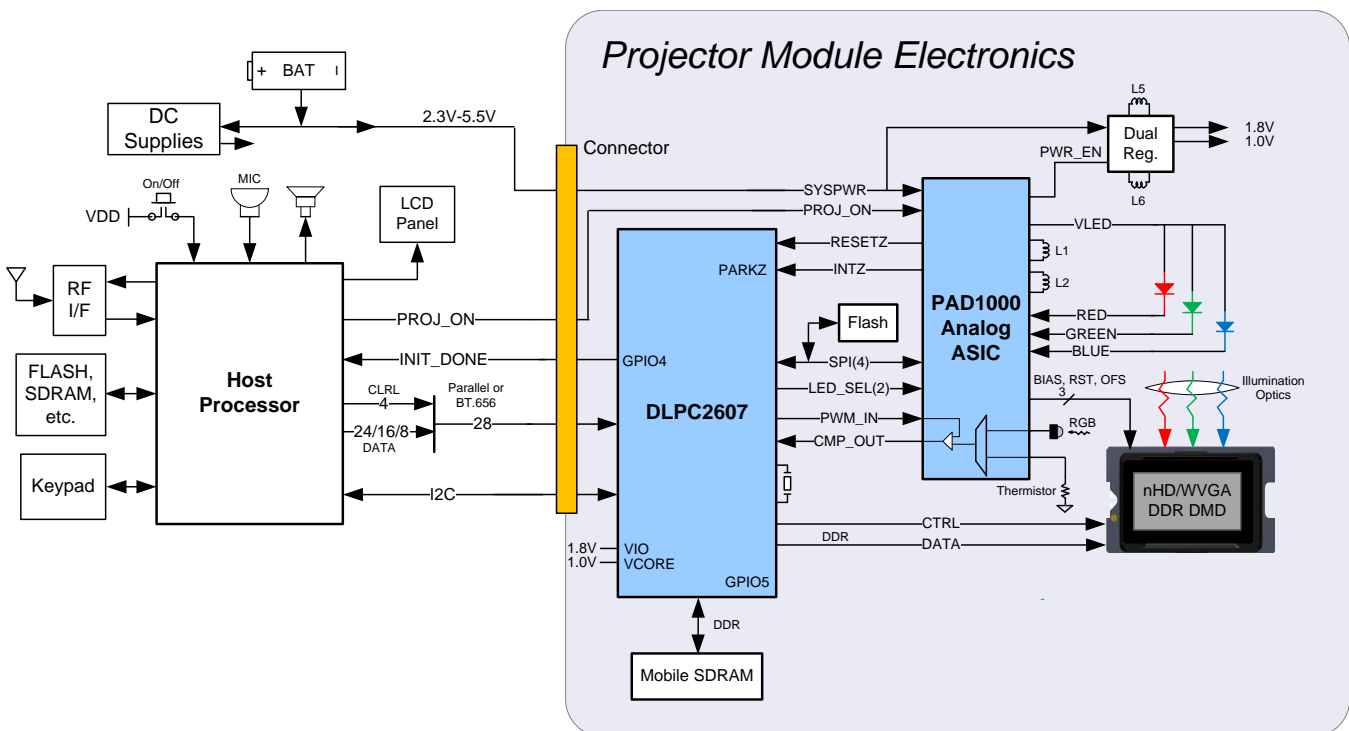


Figure 10. Typical Standalone Projector System Block Diagram



## Typical Application (continued)

### 8.2.1 Design Requirements

#### 8.2.1.1 Reference Clock

The device requires an external reference clock to feed its internal PLL. This reference may be supplied by a crystal or oscillator. For flexibility, the DLPC2607 device accepts either of two reference clock frequencies (see Table 5), but both must have a maximum frequency variation of 200 ppm (including aging, temperature, and trim component variation). When a crystal is used, the configuration requires several discrete components, as shown in Figure 11.

CL = Crystal load capacitance (Farads)  
 $CL1 = 2 * (CL - C_{stray\_pll\_refclk\_i})$   
 $CL2 = 2 * (CL - C_{stray\_pll\_refclk\_o})$

Where:

$C_{stray\_pll\_refclk\_i}$  = Sum of package and PCB stray capacitance at the crystal pin associated with the ASIC pin  $pll\_refclk\_i$ .

$C_{stray\_pll\_refclk\_o}$  = Sum of package and PCB stray capacitance at the crystal pin associated with the ASIC pin  $pll\_refclk\_o$ .

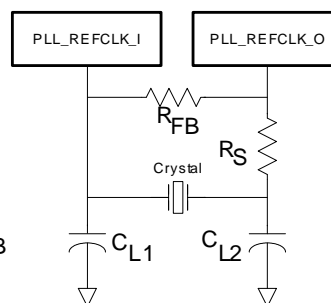


Figure 11. Recommended Crystal Oscillator Configuration

Table 5. Crystal Port Characteristics

PARAMETER	NOM	UNIT
PLL_REFCLK_I TO GND capacitance	4.5	pF
PLL_REFCLK_O TO GND capacitance	4.5	pF

Table 6. Recommended Crystal Configuration

PARAMETER	RECOMMENDED	UNIT
Crystal circuit configuration	Parallel resonant	
Crystal type	Fundamental (first harmonic)	
Crystal nominal frequency	16.667 or 8.333	MHz
Crystal frequency tolerance (including accuracy, temperature, aging, and trim sensitivity)	±200	PPM
Crystal drive level	100 max	µW
Crystal equivalent series resistance (ESR)	80 max	Ω
Crystal load	12	pF
R <sub>S</sub> drive resistor (nominal)	100	Ω
R <sub>FB</sub> feedback resistor (nominal)	1	MΩ
C <sub>L1</sub> external crystal load capacitor	See Figure 11	pF
C <sub>L2</sub> external crystal load capacitor	See Figure 11	pF
PCB layout	TI recommends a ground isolation ring around the crystal	

If an external oscillator is used, then the oscillator output must drive the PLL\_REFCLK\_I pin on the DLPC2607 ASIC, and the PLL\_REFCLK\_O pins should be left unconnected. The benefit of an oscillator is that it can be made to provide a spread-spectrum clock that reduces EMI.

#### NOTE

The DLPC2607 device can only accept between 0% to –2% spreading (that is, down spreading only) with a modulation frequency between 20 and 65 kHz and a triangular waveform.

Similar to the crystal option, the oscillator input frequency is limited to 16.667 or 8.333 MHz. To configure the DLPC2607 device to accept the 8.333-MHz reference clock option, an external pullup resistor to VCC18 must be applied to the TSTPT (6) pin. To configure the DLPC2607 device to accept the 16.667-MHz reference clock option, leave the TSTPT (6) pin unconnected.

It is assumed that the external crystal or oscillator stabilizes within 50 ms after stable power is applied.

### 8.2.1.2 mDDR DRAM Compatibility

The following are the basic SDRAM compatibility requirements for the DLPC2607 SDRAM:

- SDRAM memory type: mDDR
- Size: 128 Mb minimum
- Organization: N × 16-bits wide × 4 banks
- Speed grade  $t_{CK}$ : 6-ns max
- CAS latency (CL),  $t_{RCD}$ ,  $t_{RP}$  parameters (clocks): 3, 3, 3
- Burst length options to include: Burst of 4
- Refresh period (full device): ≥64 ms

The following mDDR DRAM devices are recommended for use with the DLPC2607 device:

**Table 7. Compatible mDDR DRAM Device Options<sup>(1) (2)</sup>**

DVT <sup>(3)</sup>	VENDOR	PART NUMBER	SIZE	ORGANIZATION	SPEED GRADE $t_{CK}$ <sup>(4)</sup>	CL, $t_{RCD}$ , $t_{RP}$ (Clocks)
No	Elpida	EDK1216CFBJ-60-F <sup>(5)</sup>	128 Mb	8 M × 16	6 ns	3, 3, 3
Yes	Elpida	EDD25163HBH-6ELS-F	256 Mb	16 M × 16	6 ns	3, 3, 3
No	Samsung	K4X56163PL-FGC6 <sup>(6)</sup>	256 Mb	16 M × 16	6 ns	3, 3, 3
Yes	Samsung	K4X56163PN-FGC6	256 Mb	16 M × 16	6 ns	3, 3, 3
Yes	Micron	MT46H16M16LFBF-6IT:H	256 Mb	16 M × 16	6 ns	3, 3, 3
Yes	Hynix	H5MS2562JFR-J3M	256 Mb	16 M × 16	6 ns	3, 3, 3

(1) The DLPC2607 device does not use partial array self-refresh or temperature-compensated self-refresh options.

(2) These part numbers reflect Pb-free package.

(3) All these SDRAM devices appear compatible with the DLPC2607 device, but only those marked with 'yes' in the DVT column have been validated on a TI internal reference design board. Those marked with 'no' can be used at the ODM's own risk.

(4) A 6-ns speed grade corresponds to a 166-MHz mDDR device.

(5) These devices are EOL and no replacement with the same footprint. Do not use these in new designs.

(6) The manufacturer has issued an upcoming end of life notice on this device.

## 8.2.2 Detailed Design Procedure

For connecting together the DLPC2607 controller and the DMD, see the reference design schematic. Layout guidelines should be followed to achieve a reliable projector. To complete DLP system an optical module or light engine is required. The optical engine that has the LED packages and the DMD mounted to it is typically supplied by an optical OEM who specializes in designing optics for DLP projectors.

### 8.2.2.1 Hot-Plug Usage

Note that the DLPC2607 device provides fail-safe I/O on all host interface signals (signals powered by VCC\_INTF). This allows these inputs to be driven high even when no I/O power is applied. Under this condition, the DLPC2607 device does not load the input signal, nor draw excessive current that could degrade ASIC reliability. For example, the I<sup>2</sup>C bus from the host to other components would not be affected by powering off VCC\_INTF to the DLPC2607 device. Note that TI recommends weak pullups or pulldowns on signals feeding back to the host to avoid floating inputs.

### 8.2.2.2 Maximum Signal Transition Time

Unless otherwise noted, the maximum recommended 20% to 80% rise and fall time to avoid input buffer oscillation is 10 ns. This applies to all DLPC2607 device input signals.

#### NOTE

The PARK input signal includes an additional small digital filter that ignores any input-buffer transitions caused by a slower rise and fall time for up to 150 ns.

### 8.2.2.3 Configuration Control

The primary configuration control mechanism for the DLPC2607 device is the I<sup>2</sup>C interface. See the *DLPC2607 Software Programmer's Guide*, [DLPU004](#), for details on how to configure and control the DLPC2607.

### 8.2.2.4 White Point Correction Light Sensor

With the addition of a light-to-voltage light sensor (such as a phototransistor) and a voltage comparator circuit, the DLPC2607 device supports automatic white point correction and power control.

## 8.2.3 Application Curve

As the LED currents that are driven time-sequentially through the red, green, and blue LEDs are increased, the brightness of the projector increases. This increase is somewhat non-linear, and the curve for typical white screen lumens changes with LED currents is shown in [Figure 12](#). For the LED currents shown, it is assumed that the same current amplitude is applied to the red, green, and blue LEDs.

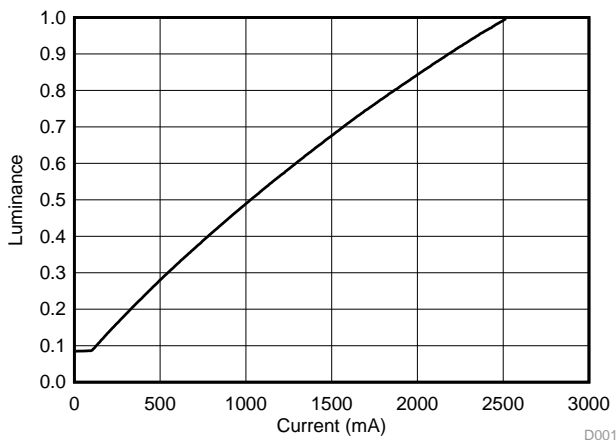


Figure 12. Luminance vs Current

As with prior DLP electronics solutions, image data is 100% digital from the DLPC2607 device input port to the image projected on to the display screen. The image stays in digital form and is never converted into an analog signal. The DLPC2607 device processes the digital input image and converts the data into bit-plane format as needed by the DMD. The DMD then reflects light to the screen using binary pulse-width modulation (PWM) for each pixel mirror. The viewer's eyes integrate this light to form brilliant, crisp images.

## 9 Power Supply Recommendations

### 9.1 System Power Considerations

Table 8 provides a summary of the required power delivery requirements for DLPC2607 for various VCC\_FLSH and VCC\_INTF power options.

**Table 8. Configuration Based Power Supply Requirements**

ASIC POWER RAIL	USAGE	NOMINAL VOLTAGE (V)	TOTAL SUPPLY MARGIN <sup>(1)</sup>
VCC_INTF <sup>(2)</sup>	Video interface I/O	1.8, 2.5, or 3.3	±5%
VCC_FLSH <sup>(3)</sup>	Flash I/O	1.8, 2.5, or 3.3	±5%
VDD_PLL <sup>(4)</sup>	Internal PLL	1	±5%
VCC18	mDDR and DMD I/O	1.8	±5%
VDD10	ASIC core	1	±5%

- (1) Total supply margin = DC offset budget + AC noise budget
- (2) VCC\_INTF is independent of all other supplies.
- (3) VCC\_FLSH is independent of all other supplies.
- (4) When possible, TI recommends to use a tighter supply tolerance (±3%) for the power to the PLL in order to improve system noise immunity.

### 9.2 System Power-Up and Power-Down Sequence

Although the DLPC2607 device requires an array of power supply voltages, (that is, VDD, VDD\_PLL, VCC\_18, VCC\_FLSH, and VCC\_INTF), there are no restrictions regarding the relative order of power supply sequencing to avoid damaging the DLPC2607 device. This is true for both power-up and power-down scenarios. Similarly there is no minimum time between powering-up or powering-down the different supplies feeding the DLPC2607 device.

---

**NOTE**

Often, there are power sequencing requirements for devices that share the supplies with the DLPC2607 device.

---

From a functional standpoint, there is one specific power-sequencing recommendation to ensure proper operation. In particular, apply all ASIC power and allow it to reach the minimum specified voltage levels before **RESET** is deasserted to ensure proper power-up initialization is performed. All I/O power should remain applied as long as 1-V core power is applied and **RESET** is de-asserted.

---

**NOTE**

When VDD10 core power is applied but I/O power is not applied, additional leakage current may be drawn.

---

System Power-Up and Power-Down Sequence (continued)

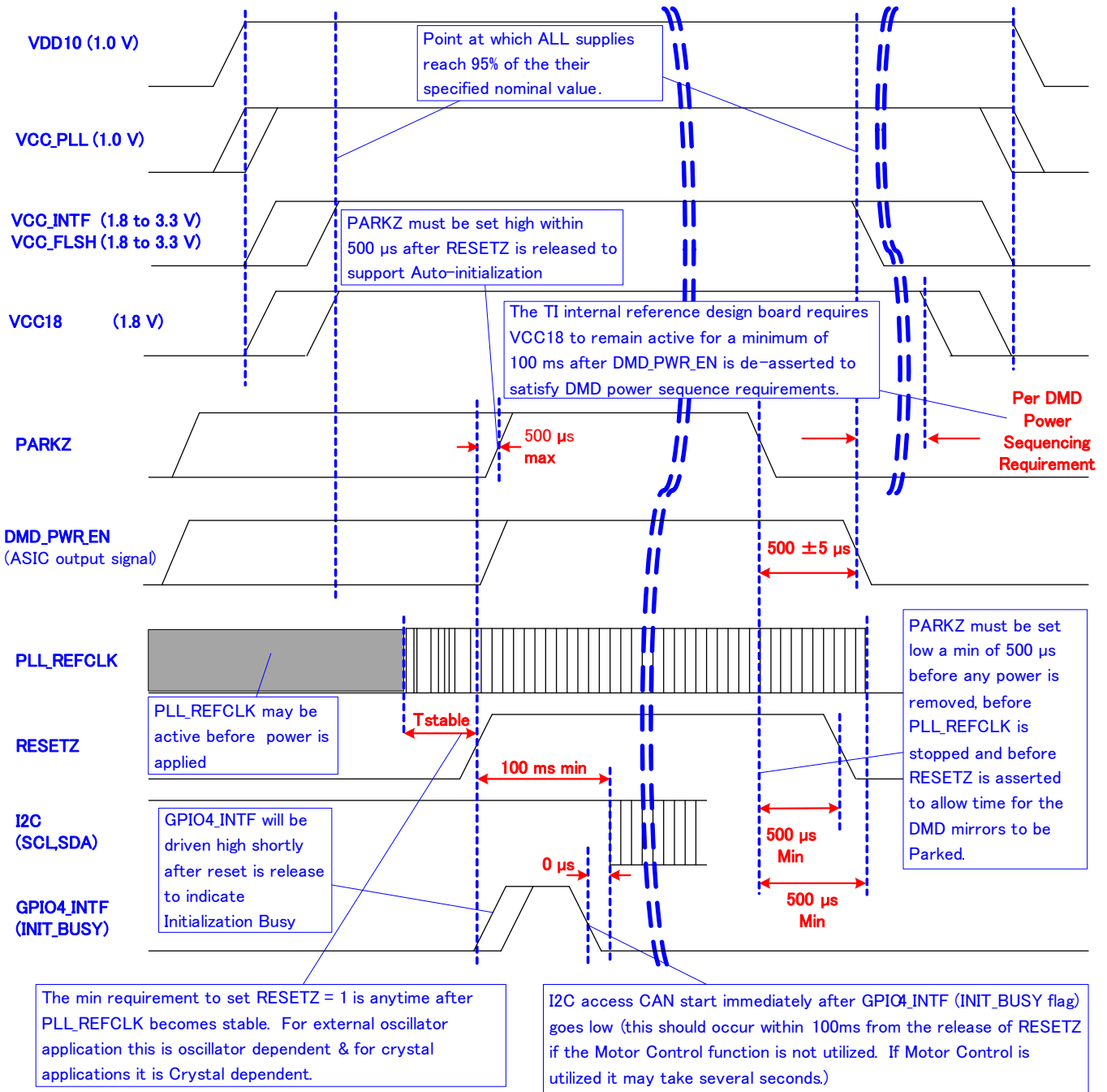


Figure 13. Power-Up and Power-Down Timing

### 9.3 System Power I/O State Considerations

Note that:

- If VCC18 I/O power is applied when VDD10 core power is not applied, then all mDDR (non-fail-safe) and non-mDDR (fail-safe) output signals associated with the VCC18 supply are in a high-impedance state.
- If VCC\_INTF or VCC\_FLSH I/O power is applied when VDD10 core power is not applied, then all output signals associated with these inactive I/O supplies are in a high-impedance state.
- If VDD10 core power is applied but VCC\_INTF or VCC\_FLSH I/O power is not applied, then all output signals associated with these inactive I/O supplies are in a high-impedance state.
- If VDD10 core power is applied but VCC18 I/O power is not applied, then all mDDR (non-fail-safe) and non-mDDR (fail-safe) output signals associated with the VCC18 I/O supply are in a high-impedance state. However, if driven high externally, only the non-mDDR (fail-safe) output signals remain in a high-impedance state, and the mDDR (non fail-safe) signals are shorted to ground through clamping diodes.

### 9.4 Power-Up Initialization Sequence

It is assumed that an external power monitor holds the DLPC2607 device in system reset during power-up. It must do this by driving  $\overline{\text{RESET}}$  to a logic low state. It should continue to assert system reset until all ASIC voltages have reached minimum specified voltage levels,  $\overline{\text{PARK}}$  is asserted high, and input clocks are stable. During this time, most ASIC outputs are driven to an inactive state and all bidirectional signals are configured as inputs to avoid contention. ASIC outputs that are not driven to an inactive state are tri-stated, which includes DMD\_PWR\_EN, LEDDVR\_ON, LED\_SEL\_0, LED\_SEL\_1, SPICLK, SPIDOUT, and SPICSZ0. After power is stable and the PLL\_REFCLK clock input to the DLPC2607 device is stable, then  $\overline{\text{RESET}}$  should be deactivated (set to a logic high). The DLPC2607 device then performs a power-up initialization routine that first locks its PLL, followed by loading self configuration data from the external flash. Upon release of  $\overline{\text{RESET}}$ , all DLPC2607 device I/Os become active. Immediately following the release of  $\overline{\text{RESET}}$ , the GPIO4\_INTF signal is driven high to indicate that the auto-initialization routine is in progress. Upon completion of the auto-initialization routine, the DLPC2607 device drives GPIO4\_INTF low to signal INITIALIZATION DONE (also known as INIT DONE).

#### NOTE

The host processor can start sending standard I<sup>2</sup>C commands after GPIO4 (INIT\_DONE) goes low, or a 100-ms timer expires in the host processor, whichever is earlier, irrespective of whether the motor is enabled or not. However, before sending any compound I<sup>2</sup>C commands at power-up, the host processor must wait until GPIO4 (INIT\_DONE) goes low, irrespective of whether the motor control function is enabled or not. Due to motor movement, the worst-case time to wait for GPIO4 to go low is when the motor control function is enabled and system dependent; it may take several seconds.

Power-Up Initialization Sequence (continued)

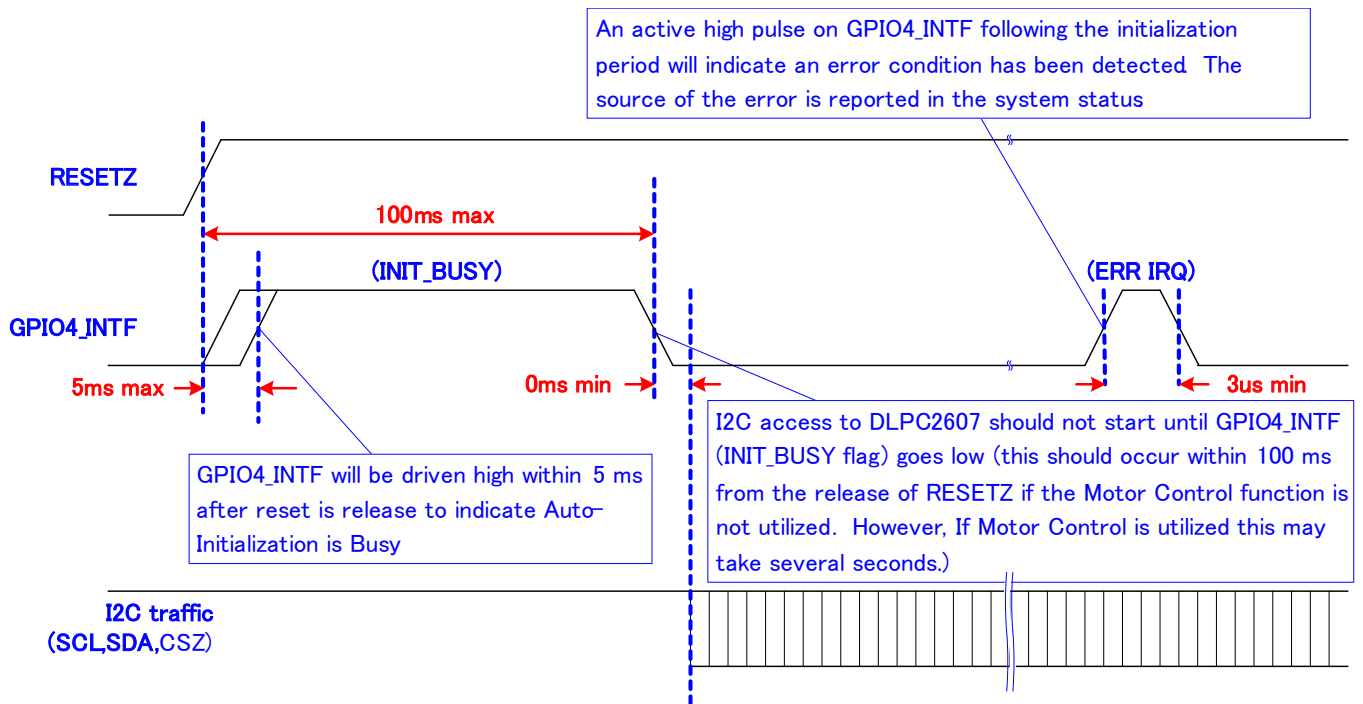


Figure 14. Initialization Timeline

9.5 Power-Good ( $\overline{\text{PARK}}$ ) Support

The  $\overline{\text{PARK}}$  signal is defined as an early warning signal that should alert the controller 500  $\mu\text{s}$  before DC supply voltages have dropped below specifications. This allows the controller time to park the  $\overline{\text{DMD}}$ , ensuring the integrity of future operation. Note that the reference clock should continue to run and RESET should remain deactivated for at least 500  $\mu\text{s}$  after  $\overline{\text{PARK}}$  has been deactivated (set to a logic low) to allow the park operation to complete.

## 10 Layout

### 10.1 Layout Guidelines

#### 10.1.1 Internal ASIC PLL Power

TI recommends the following guidelines to achieve desired ASIC performance relative to the internal PLL. The DLPC2607 device contains one internal PLL, which has a dedicated analog supply (VDD\_PLL and VSS\_PLL). At a minimum, VDD\_PLL power and VSS\_PLL ground pins should be isolated using an RC-filter consisting of two 50-Ω series ferrites and two shunt capacitors (to widen the spectrum of noise absorption). TI recommends one 0.1-μF capacitor and that the other is a 0.01-μF capacitor. Place all four components as close to the ASIC as possible; it's especially important to keep the leads of the high-frequency capacitors as short as possible. Note that the user should connect both capacitors across VDD\_PLL and VSS\_PLL on the ASIC side of the ferrites.

The PCB layout is critical to PLL performance. It is important that the quiet ground and power are treated like analog signals. Therefore, VDD\_PLL must be a single trace from the DLPC2607 device to both capacitors, and then through the series ferrites to the power source. The power and ground traces should be as short as possible, parallel to each other, and as close as possible to each other.

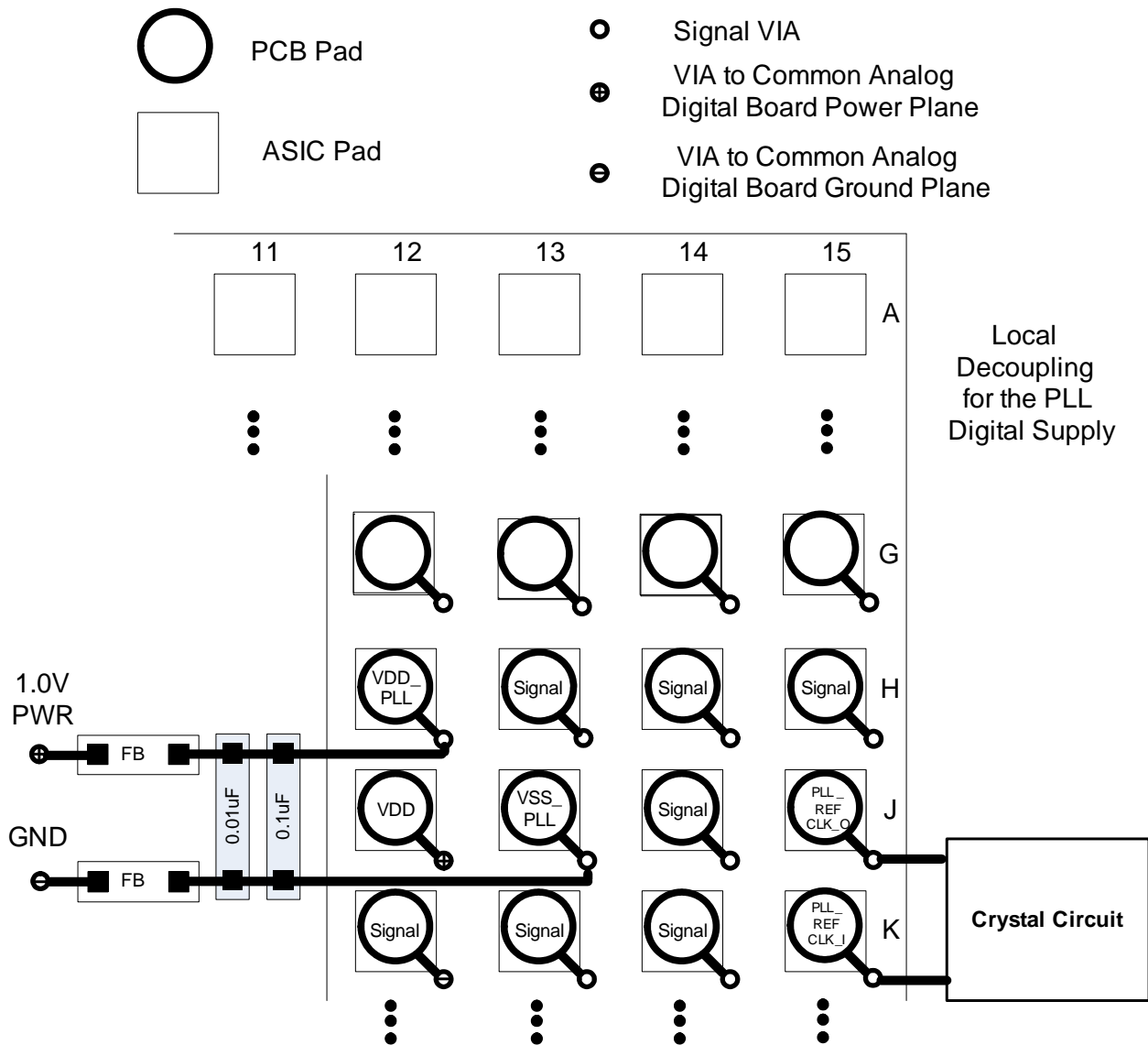


Figure 15. PLL Filter Layout



## Layout Guidelines (continued)

### 10.1.2 General Handling Guidelines for Unused CMOS-Type Pins

To avoid potentially damaging current caused by floating CMOS input-only pins, TI recommends to tie unused ASIC input pins through a pullup resistor to their associated power supply or a pulldown to ground. For ASIC inputs with internal pullup or pulldown resistors, it is unnecessary to add an external pullup or pulldown unless specifically recommended.

---

#### NOTE

Internal pullup and pulldown resistors are weak and should not be expected to drive the external line. The DLPC2607 device implements very few internal resistors and these are noted in the pin list.

---

Never tie unused output-only pins directly to power or ground. These pins can be left open.

When possible, TI recommends that unused bidirectional I/O pins be configured to their output state such that the pin can be left open. If this control is not available and the pins may become an input, then they should be pulled-up (or pulled-down) using an appropriate, dedicated resistor.

### 10.1.3 SPI Signal Routing

The DLPC2607 device is designed to support two SPI slave devices, specifically, a serial flash and the PMD1000. Given this requires routing associated SPI signals to two locations while attempting to operate at 33.3 MHz, ensure that reflections do not compromise signal integrity. TI recommends the following:

- The SPICLK PCB signal trace from the DLPC2607 source to each slave device should be split into separate routes as close to the DLPC2607 device as possible. In addition, the SPICLK trace length to each device should be equal in total length.
- The SPIDOUT PCB signal trace from the DLPC2607 source to each slave device should be split into separate routes as close to the DLPC2607 device as possible. In addition, the SPIDOUT trace length to each device should be equal in total length (that is, use the same strategy as SPICLK).
- The SPIDIN PCB signal trace from each slave device to the point where they intersect on their way back to the DLPC2607 device should be made equal in length and as short as possible. They should then share a common trace back to the DLPC2607 device.
- SPICSZ0 and SPICSZ1 do not require special treatment because they are dedicated signals which drive only one device.

### 10.1.4 mDDR Memory and DMD Interface Considerations

High-speed interface waveform quality and timing on the DLPC2607 ASIC (that is, the mDDR memory I/F and the DMD interface) depend on the total length of the interconnect system, the spacing between traces, the characteristic impedance, etch losses, and how well matched the lengths are across the interface. Thus, ensuring positive timing margin requires attention to many factors.

As an example, the DMD interface system timing margin can be calculated as follows:

$$\text{Setup margin} = (\text{DLPC2607 output setup}) - (\text{DMD input setup}) - (\text{PCB routing mismatch}) - (\text{PCB SI degradation}) \quad (1)$$

$$\text{Hold-time margin} = (\text{DLPC2607 output hold}) - (\text{DMD input hold}) - (\text{PCB routing mismatch}) - (\text{PCB SI degradation})$$

where

- PCB SI degradation is signal integrity degradation due to PCB effects. This includes things such as simultaneously switching output (SSO) noise, crosstalk, and inter-symbol interference (ISI) noise. (2)

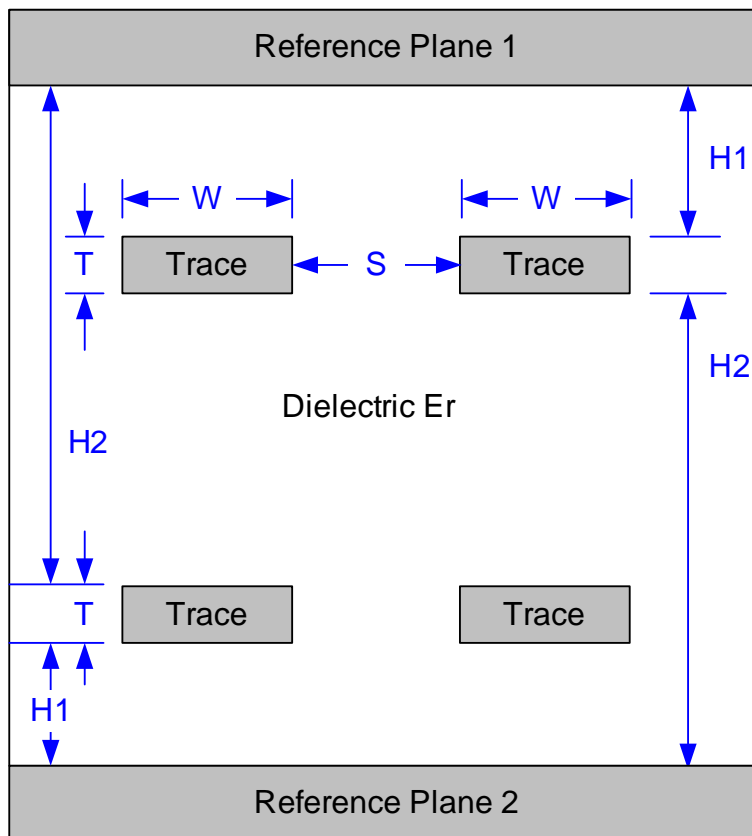
The DLPC2607 device I/O timing parameters, as well as mDDR and DMD I/O timing parameters, can be found in their corresponding data sheets. Similarly, PCB routing mismatch can be easily budgeted and met by controlled PCB routing. However, PCB SI degradation is not so straight forward.

In an attempt to minimize the signal integrity analysis that would otherwise be required, the following PCB design guidelines are provided as a reference of an interconnect system that satisfies both waveform quality and timing requirements (accounting for both PCB routing mismatch and PCB SI degradation). Variation from these recommendations may also work, but should be confirmed with PCB signal integrity analysis or lab measurements.

## Layout Guidelines (continued)

### 10.1.5 PCB Design

- o Configuration: Asymmetric dual stripline
- o Etch thickness (T): 0.5-oz copper
- o Single-ended signal impedance:  $50\ \Omega$  ( $\pm 10\%$ )
- o Differential signal impedance:  $100\text{-}\Omega$  differential ( $\pm 10\%$ )
  
- o Reference plane 1 is assumed to be a ground plane for proper return path.
- o Reference plane 2 is assumed to be the I/O power plane or ground.
- o Dielectric FR4, ( $E_r$ ): 4.2 (nominal)
- o Signal trace distance to reference plane 1 ( $H_1$ ): 5 mil (nominal)
- o Signal trace distance to reference plane 2 ( $H_2$ ): 34.2 mil (nominal)



**Figure 16. PCB Stacking Geometries**

## Layout Guidelines (continued)

### 10.1.6 General PCB Routing (Applies to All Corresponding PCB Signals)

**Table 9. PCB Line and Spacing Recommendations<sup>(1) (2) (3)</sup>**

PARAMETER	APPLICATION	SINGLE-ENDED SIGNALS	DIFFERENTIAL PAIRS	UNIT
Line width (W)	Escape routing in ball field	3 (0.762)	3 (0.762)	mil (mm)
	PCB etch – Outer layer data or control	7.25 (0.184)	4.5 (0.114)	mil (mm)
	PCB etch - Inner layer data or control	4.5 (0.114)	4.5 (0.114)	mil (mm)
	PCB etch clocks	4.5 (0.114)	4.5 (0.114)	mil (mm)
Differential signal pair spacing (S)	PCB etch data or control	N/A	7.75 [1] (0.305)	mil (mm)
	PCB etch clocks	N/A	7.75 [1] (0.305)	mil (mm)
Minimum line spacing to other signals (S)	Escape routing in ball field	3 (0.762)	3 (0.762)	mil (mm)
	PCB etch – Outer layer data or control	7.25 (0.184)	4.5 (0.114)	mil (mm)
	PCB etch - Inner layer data or control	4.5 (0.114)	4.5 (0.114)	mil (mm)
	PCB etch clocks	11 (0.279)	11 (0.279)	mil (mm)
Maximum differential pair P-to-N length mismatch	Total clock	N/A	25 (0.635)	mil (mm)

(1) Spacing may vary to maintain differential impedance requirements.

(2) The DLPC2607 device only includes one differential signal pair – MEM0\_CK\_P and MEM0\_CK\_N.

(3) These values are merely recommendations to achieve good signal integrity. The OEM is free to apply their own rules as long as they maintain good signal integrity.

These PCB design guidelines are purposefully conservative to minimize potential signal integrity issues. Given this device is targeted for low-cost, handheld application, there is a need to be more aggressive with these best practices. TI highly recommends to perform a full-board-level signal integrity analysis, if these guidelines cannot be followed. The DLPC2607 IBIS models are available for such analysis.

### 10.1.7 Maximum, Pin-to-Pin, PCB Interconnects Etch Lengths

**Table 10. Max Pin-to-Pin PCB Interconnect Recommendations<sup>(1) (2)</sup>**

BUS	SIGNAL INTERCONNECT TOPOLOGY		UNIT
	SINGLE BOARD SIGNAL ROUTING LENGTH	MULTI-BOARD SIGNAL ROUTING LENGTH	
<b>DMD</b>			
DMD_D(14:0), DMD_DCLK, DMD_TRC, DMD_SCTRL, DMD_LOADB, DMD_OEZ, DMD_DAD_STRB, DMD_DAD_BUS, DMD_SAC_CLK and DMD_SAC_BUS	4 max (101.5 max)	3.5 max (88.91 max)	inch (mm)
<b>mDDR</b>			
MEM0_DQ(15:8), MEM0_UDM and MEM0_UDQS	1.5 max 38.1 max	NA	inch (mm)
<b>mDDR</b>			
MEM0_DQ(7:0), MEM0_LDM and MEM0_LDQS	1.5 max (38.1 max)	NA	inch (mm)
<b>mDDR</b>			

(1) Max signal routing length includes escape routing.

(2) Multi-board DMD routing length is more restricted due to the impact of the connector.

**Table 10. Max Pin-to-Pin PCB Interconnect Recommendations<sup>0 0</sup> (continued)**

BUS	SIGNAL INTERCONNECT TOPOLOGY		UNIT
	SINGLE BOARD SIGNAL ROUTING LENGTH	MULTI-BOARD SIGNAL ROUTING LENGTH	
MEM0_CLK_P, MEM0_CLK_N, MEM0_A(12:0), MEM0_BA(1:0), MEM0_CKE, MEM0_CSZ, MEM0_RASZ, MEM0_CASZ and MEM0_WEZ	2.5 max (63.5 max)	N/A	inch (mm)

### 10.1.8 I/F Specific PCB Routing

**Table 11. High-Speed PCB Signal Routing Matching Requirements<sup>(1) (2) (3)</sup>**

SIGNAL INTERCONNECT TOPOLOGY				
IF	SINGLE GROUP	REFERENCE SIGNAL	MAX MISMATCH	UNIT
DMD	DMD_D(14:0), DMD_TRC, DMD_SCTRL, DMD_LOADB, DMD_OEZ	DMD_DCLK	±500 (±12.7)	mil (mm)
	DMD_DAD_STRB, DMD_DAD_BUS	DMD_DCLK	±750 (±19.05)	mil (mm)
	DMD_SAC_BUS	DMD_SAC_CLK	±750 (±19.05)	mil (mm)
	DMD_SAC_CLK	DMD_DCLK	±500 (±12.7)	mil (mm)
mDDR:	MEM0_CLK_P	MEM0_CLK_N	±150 (±3.81)	mil (mm)
	Read/ Write Data Lower Byte: MEM0_LDM and MEM0_DQ(7:0) 38.1 max	MEM0_LDQS	±300 (±7.62)	mil (mm)
	Read/ Write Data Upper Byte: MEM0_UDM and MEM0_DQ(15:8)	MEM0_UDQS	±300 (±7.62)	mil (mm)
	Address and control: MEM0_A(12:0), MEM0_BA(1:0), MEM0_RASZ, MEM0_CASZ, MEM0_WEZ, MEM0_CSZ, MEM0_CKE	MEM0_CLK_P/ MEM0_CLK_N	±1000 (±25.4)	mil (mm)
	Data strobes: MEM0_LDQS and MEM0_UDQS	MEM0_CLK_P/ MEM0_CLK_N	±300 (±7.62)	mil (mm)

- (1) These values apply to PCB routing only. They do not include any internal package routing mismatch associated with the DLPC2607 device, DMD, or mDDR memory.
- (2) DMD data and control lines are DDR, whereas DMD\_SAC and DMD\_DAD lines are single data rate. Matching the DDR lines is more critical and should take precedence over matching single data rate lines.
- (3) mDDR data, mask, and strobe lines are DDR, whereas address and control are single data rate. Matching the DDR lines is more critical and should take precedence over matching single data rate lines.

### 10.1.9 Number of Layer Changes

- Single-ended signals: Minimize the number of layer changes.
- Differential signals: Individual differential pairs can be routed on different layers, but the signals of a given pair should not change layers.

### 10.1.10 Stubs

Avoid stubs.

### 10.1.11 Termination Requirements:

DMD I/F	Terminate all DMD I/F signals, with the exception of DMD_OEZ (specifically DMD_D(14:0), DMD_DCLK, DMD_TRC, DMD_SCTRL, DMD_LOADB, DMD_DAD_STRB, DMD_DAD_BUS, DMD_SAC_CLK, and DMD_SAC_BUS), at the source with a 10- to 30-Ω series resistor. TI recommends a 30-Ω series resistor for most applications because this minimizes overshoot, undershoot, and reduces EMI; however, for systems that must operate below –20°C, it may be necessary to reduce this series resistance to avoid narrowing the data eye too much under worse-case PVT conditions. TI recommends IBIS simulations for this worse-case scenario.
mDDR memory I/F	
mDDR differential clock	Terminate each line, specifically MEM0_CK(P:N), at the source with a 30-Ω series resistor. The pair should also be terminated with an external 100-Ω differential termination across the two signals as close to the DRAM as possible. (It may be possible to use a 200-Ω differential termination at the DRAM to save power while still providing sufficient signal integrity, but this has not been validated.)
mDDR data, strobe, and mask	Specifically MEM0_DQ(15:0), MEM0_LDM, MEM0_UDM, MEM0_LDQS, and MEM0_UDQS should be terminated with a 30-Ω series resistor located midway between the two devices.
mDDR address and control	Specifically MEM0_A(12:0), MEM0_BA(1:0), MEM0_CKE, MEM0_CSZ, MEM0_RASZ, MEM0_CASZ, and MEM0_WEZ should be terminated at the source with a 30-Ω series resistor.

For applications where the routed distance of the mDDR or DMD signal can be kept less than 0.75 inches, this signal is short enough not to be considered a transmission line and should not need a series terminating resistor.

## 10.2 Layout Example

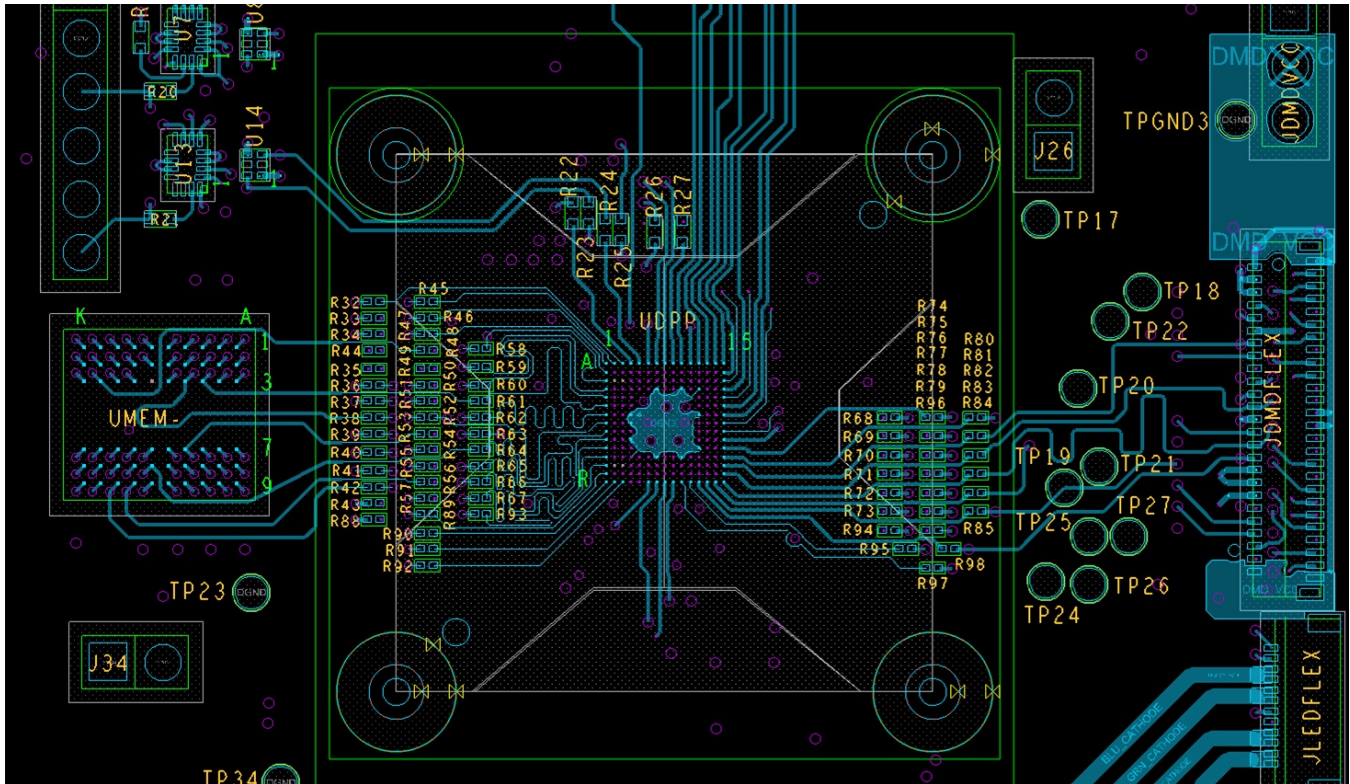


Figure 17. PCB Layout Example

## 11 Device and Documentation Support

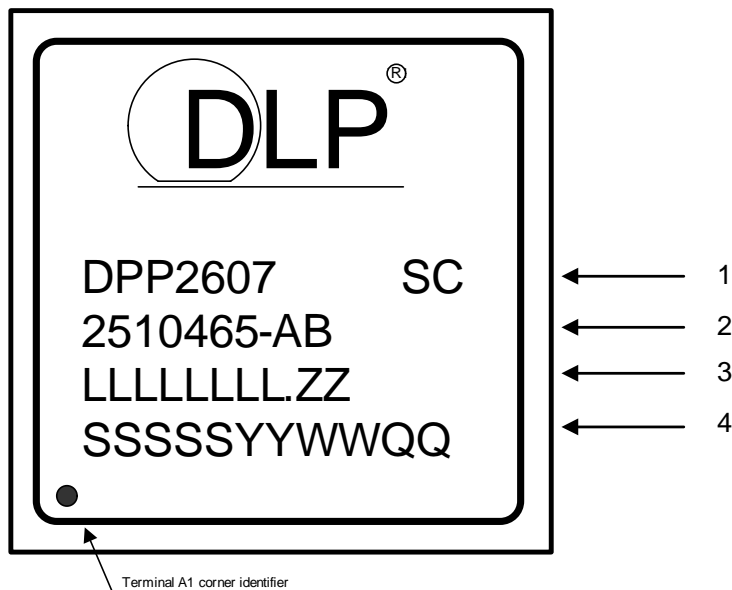
### 11.1 Device Support

#### 11.1.1 Third-Party Products Disclaimer

TI'S PUBLICATION OF INFORMATION REGARDING THIRD-PARTY PRODUCTS OR SERVICES DOES NOT CONSTITUTE AN ENDORSEMENT REGARDING THE SUITABILITY OF SUCH PRODUCTS OR SERVICES OR A WARRANTY, REPRESENTATION OR ENDORSEMENT OF SUCH PRODUCTS OR SERVICES, EITHER ALONE OR IN COMBINATION WITH ANY TI PRODUCT OR SERVICE.

#### 11.1.2 Device Nomenclature

##### 11.1.2.1 Device Marking



Marking definitions:

1. DLP device name

SC: Solder ball composition

e1: Indicates lead-free solder balls consisting of SnAgCu

G8: Indicates lead-free solder balls consisting of tin-silver-copper (SnAgCu) with silver content  $\leq 1.5\%$  and that the mold compound meets TI's definition of green

2. TI part number

**AB** (1 or 2 alphanumeric) = 'A' corresponds to the TI device dash number. 'B' is reserved for an unqualified device marking. All unqualified devices, including prototypes and skew lot samples, are labeled with the letter 'X' in the 'B' marking location (following the TI part number). 'B' is left blank for qualified devices.

3. LLLLLLLL.ZZ Foundry lot code for semiconductor wafers and lead-free solder ball marking

LLLLLLLL: Manufacturing lot code

ZZ: Lot split number

4. SSSSYYWWQQ: Package and assembly information

SSSS: Manufacturing site

YYWW: Date code (YY = Year :: WW = Week)

QQ: Qualification level option – engineering samples are marked in this field with an **ES** suffix.

For example, KOREA0914ES are engineering samples built in Korea the 14<sup>th</sup> week of 2009.

## 11.2 Community Resources

The following links connect to TI community resources. Linked contents are provided "AS IS" by the respective contributors. They do not constitute TI specifications and do not necessarily reflect TI's views; see TI's [Terms of Use](#).

**TI E2E™ Online Community** *TI's Engineer-to-Engineer (E2E) Community*. Created to foster collaboration among engineers. At [e2e.ti.com](http://e2e.ti.com), you can ask questions, share knowledge, explore ideas and help solve problems with fellow engineers.

**Design Support** *TI's Design Support* Quickly find helpful E2E forums along with design support tools and contact information for technical support.

## 11.3 Trademarks

DLP, E2E are trademarks of Texas Instruments.  
All other trademarks are the property of their respective owners.

## 11.4 Electrostatic Discharge Caution



These devices have limited built-in ESD protection. The leads should be shorted together or the device placed in conductive foam during storage or handling to prevent electrostatic damage to the MOS gates.

## 11.5 Glossary

[SLYZ022](#) — *TI Glossary*.

This glossary lists and explains terms, acronyms, and definitions.

## 12 Mechanical, Packaging, and Orderable Information

The following pages include mechanical, packaging, and orderable information. This information is the most current data available for the designated devices. This data is subject to change without notice and revision of this document. For browser-based versions of this data sheet, refer to the left-hand navigation.



## 12.1 Package Option Addendum

### 12.1.1 Packaging Information

Orderable Device	Status <sup>(1)</sup>	Package Type	Package Drawing	Pins	Package Qty	Eco Plan <sup>(2)</sup>	Lead/Ball Finish	MSL Peak Temp <sup>(3)</sup>	Op Temp (°C)	Device Marking <sup>(4)(5)</sup>
DLPC2607ZVB	ACTIVE	NFBGA	ZVB	176	260	TBD	Call TI	Level-3-260C-168 HRS	-30 to 85	

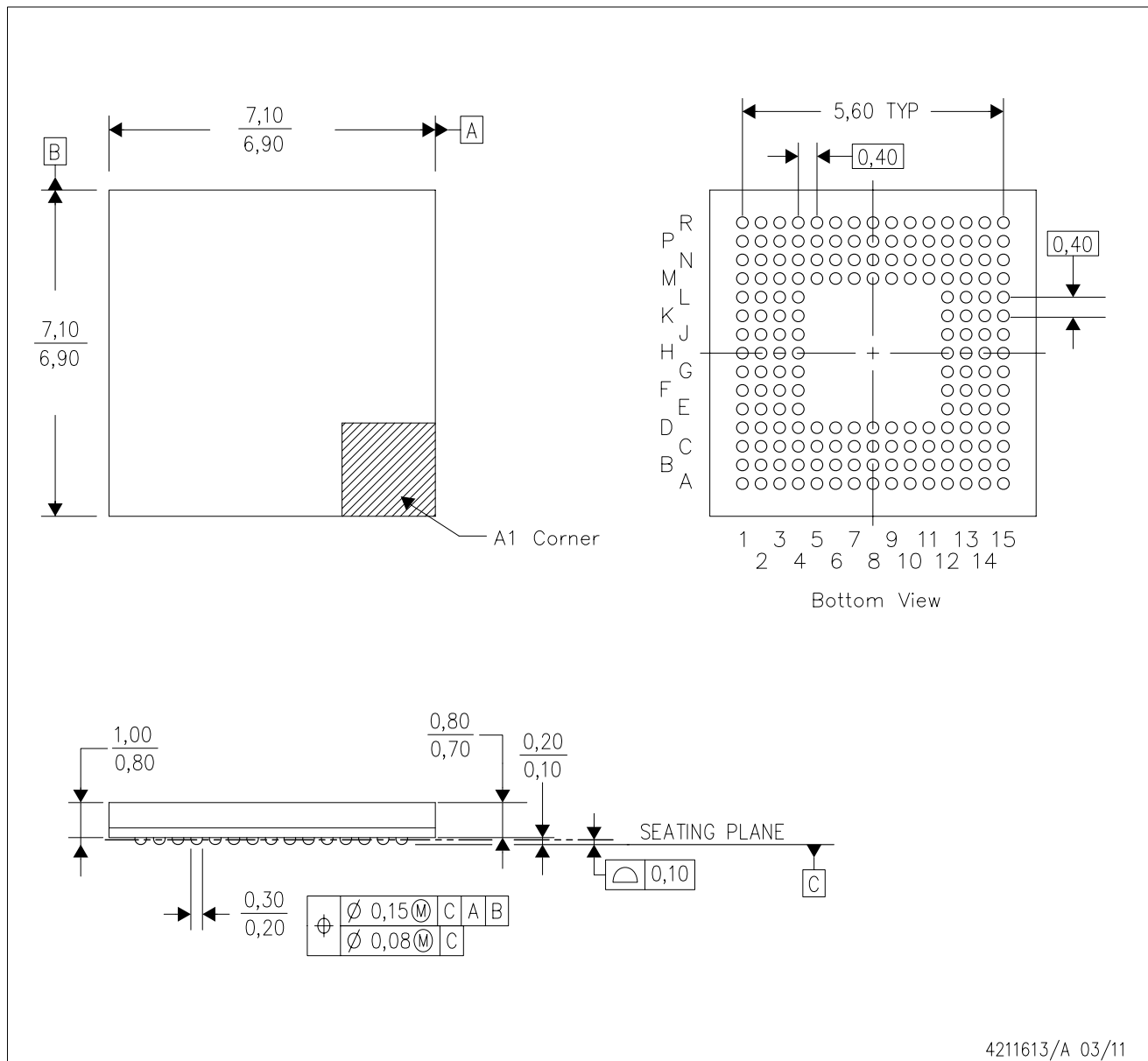
- (1) The marketing status values are defined as follows:  
**ACTIVE:** Product device recommended for new designs.  
**LIFEBUY:** TI has announced that the device will be discontinued, and a lifetime-buy period is in effect.  
**NRND:** Not recommended for new designs. Device is in production to support existing customers, but TI does not recommend using this part in a new design.  
**PRE\_PROD** Unannounced device, not in production, not available for mass market, nor on the web, samples not available.  
**PREVIEW:** Device has been announced but is not in production. Samples may or may not be available.  
**OBSOLETE:** TI has discontinued the production of the device.
- (2) Eco Plan - The planned eco-friendly classification: Pb-Free (RoHS), Pb-Free (RoHS Exempt), or Green (RoHS & no Sb/Br) - please check <http://www.ti.com/productcontent> for the latest availability information and additional product content details.  
**TBD:** The Pb-Free/Green conversion plan has not been defined.  
**Pb-Free (RoHS):** TI's terms "Lead-Free" or "Pb-Free" mean semiconductor products that are compatible with the current RoHS requirements for all 6 substances, including the requirement that lead not exceed 0.1% by weight in homogeneous materials. Where designed to be soldered at high temperatures, TI Pb-Free products are suitable for use in specified lead-free processes.  
**Pb-Free (RoHS Exempt):** This component has a RoHS exemption for either 1) lead-based flip-chip solder bumps used between the die and package, or 2) lead-based die adhesive used between the die and leadframe. The component is otherwise considered Pb-Free (RoHS compatible) as defined above.  
**Green (RoHS & no Sb/Br):** TI defines "Green" to mean Pb-Free (RoHS compatible), and free of Bromine (Br) and Antimony (Sb) based flame retardants (Br or Sb do not exceed 0.1% by weight in homogeneous material)
- (3) MSL, Peak Temp. -- The Moisture Sensitivity Level rating according to the JEDEC industry standard classifications, and peak solder temperature.
- (4) There may be additional marking, which relates to the logo, the lot trace code information, or the environmental category on the device
- (5) Multiple Device markings will be inside parentheses. Only on Device Marking contained in parentheses and separated by a "~" will appear on a device. If a line is indented then it is a continuation of the previous line and the two combined represent the entire Device Marking for that device.

**Important Information and Disclaimer:** The information provided on this page represents TI's knowledge and belief as of the date that it is provided. TI bases its knowledge and belief on information provided by third parties, and makes no representation or warranty as to the accuracy of such information. Efforts are underway to better integrate information from third parties. TI has taken and continues to take reasonable steps to provide representative and accurate information but may not have conducted destructive testing or chemical analysis on incoming materials and chemicals. TI and TI suppliers consider certain information to be proprietary, and thus CAS numbers and other limited information may not be available for release.

In no event shall TI's liability arising out of such information exceed the total purchase price of the TI part(s) at issue in this document sold by TI to Customer on an annual basis.

ZVB (S-PBGA-N176)

PLASTIC BALL GRID ARRAY



- NOTES:
- A. All linear dimensions are in millimeters. Dimensioning and tolerancing per ASME Y14.5M-1994.
  - B. This drawing is subject to change without notice.
  - C. This package is Pb-free.

## IMPORTANT NOTICE

Texas Instruments Incorporated (TI) reserves the right to make corrections, enhancements, improvements and other changes to its semiconductor products and services per JESD46, latest issue, and to discontinue any product or service per JESD48, latest issue. Buyers should obtain the latest relevant information before placing orders and should verify that such information is current and complete.

TI's published terms of sale for semiconductor products (<http://www.ti.com/sc/docs/stdterms.htm>) apply to the sale of packaged integrated circuit products that TI has qualified and released to market. Additional terms may apply to the use or sale of other types of TI products and services.

Reproduction of significant portions of TI information in TI data sheets is permissible only if reproduction is without alteration and is accompanied by all associated warranties, conditions, limitations, and notices. TI is not responsible or liable for such reproduced documentation. Information of third parties may be subject to additional restrictions. Resale of TI products or services with statements different from or beyond the parameters stated by TI for that product or service voids all express and any implied warranties for the associated TI product or service and is an unfair and deceptive business practice. TI is not responsible or liable for any such statements.

Buyers and others who are developing systems that incorporate TI products (collectively, "Designers") understand and agree that Designers remain responsible for using their independent analysis, evaluation and judgment in designing their applications and that Designers have full and exclusive responsibility to assure the safety of Designers' applications and compliance of their applications (and of all TI products used in or for Designers' applications) with all applicable regulations, laws and other applicable requirements. Designer represents that, with respect to their applications, Designer has all the necessary expertise to create and implement safeguards that (1) anticipate dangerous consequences of failures, (2) monitor failures and their consequences, and (3) lessen the likelihood of failures that might cause harm and take appropriate actions. Designer agrees that prior to using or distributing any applications that include TI products, Designer will thoroughly test such applications and the functionality of such TI products as used in such applications.

TI's provision of technical, application or other design advice, quality characterization, reliability data or other services or information, including, but not limited to, reference designs and materials relating to evaluation modules, (collectively, "TI Resources") are intended to assist designers who are developing applications that incorporate TI products; by downloading, accessing or using TI Resources in any way, Designer (individually or, if Designer is acting on behalf of a company, Designer's company) agrees to use any particular TI Resource solely for this purpose and subject to the terms of this Notice.

TI's provision of TI Resources does not expand or otherwise alter TI's applicable published warranties or warranty disclaimers for TI products, and no additional obligations or liabilities arise from TI providing such TI Resources. TI reserves the right to make corrections, enhancements, improvements and other changes to its TI Resources. TI has not conducted any testing other than that specifically described in the published documentation for a particular TI Resource.

Designer is authorized to use, copy and modify any individual TI Resource only in connection with the development of applications that include the TI product(s) identified in such TI Resource. NO OTHER LICENSE, EXPRESS OR IMPLIED, BY ESTOPPEL OR OTHERWISE TO ANY OTHER TI INTELLECTUAL PROPERTY RIGHT, AND NO LICENSE TO ANY TECHNOLOGY OR INTELLECTUAL PROPERTY RIGHT OF TI OR ANY THIRD PARTY IS GRANTED HEREIN, including but not limited to any patent right, copyright, mask work right, or other intellectual property right relating to any combination, machine, or process in which TI products or services are used. Information regarding or referencing third-party products or services does not constitute a license to use such products or services, or a warranty or endorsement thereof. Use of TI Resources may require a license from a third party under the patents or other intellectual property of the third party, or a license from TI under the patents or other intellectual property of TI.

TI RESOURCES ARE PROVIDED "AS IS" AND WITH ALL FAULTS. TI DISCLAIMS ALL OTHER WARRANTIES OR REPRESENTATIONS, EXPRESS OR IMPLIED, REGARDING RESOURCES OR USE THEREOF, INCLUDING BUT NOT LIMITED TO ACCURACY OR COMPLETENESS, TITLE, ANY EPIDEMIC FAILURE WARRANTY AND ANY IMPLIED WARRANTIES OF MERCHANTABILITY, FITNESS FOR A PARTICULAR PURPOSE, AND NON-INFRINGEMENT OF ANY THIRD PARTY INTELLECTUAL PROPERTY RIGHTS. TI SHALL NOT BE LIABLE FOR AND SHALL NOT DEFEND OR INDEMNIFY DESIGNER AGAINST ANY CLAIM, INCLUDING BUT NOT LIMITED TO ANY INFRINGEMENT CLAIM THAT RELATES TO OR IS BASED ON ANY COMBINATION OF PRODUCTS EVEN IF DESCRIBED IN TI RESOURCES OR OTHERWISE. IN NO EVENT SHALL TI BE LIABLE FOR ANY ACTUAL, DIRECT, SPECIAL, COLLATERAL, INDIRECT, PUNITIVE, INCIDENTAL, CONSEQUENTIAL OR EXEMPLARY DAMAGES IN CONNECTION WITH OR ARISING OUT OF TI RESOURCES OR USE THEREOF, AND REGARDLESS OF WHETHER TI HAS BEEN ADVISED OF THE POSSIBILITY OF SUCH DAMAGES.

Unless TI has explicitly designated an individual product as meeting the requirements of a particular industry standard (e.g., ISO/TS 16949 and ISO 26262), TI is not responsible for any failure to meet such industry standard requirements.

Where TI specifically promotes products as facilitating functional safety or as compliant with industry functional safety standards, such products are intended to help enable customers to design and create their own applications that meet applicable functional safety standards and requirements. Using products in an application does not by itself establish any safety features in the application. Designers must ensure compliance with safety-related requirements and standards applicable to their applications. Designer may not use any TI products in life-critical medical equipment unless authorized officers of the parties have executed a special contract specifically governing such use. Life-critical medical equipment is medical equipment where failure of such equipment would cause serious bodily injury or death (e.g., life support, pacemakers, defibrillators, heart pumps, neurostimulators, and implantables). Such equipment includes, without limitation, all medical devices identified by the U.S. Food and Drug Administration as Class III devices and equivalent classifications outside the U.S.

TI may expressly designate certain products as completing a particular qualification (e.g., Q100, Military Grade, or Enhanced Product). Designers agree that it has the necessary expertise to select the product with the appropriate qualification designation for their applications and that proper product selection is at Designers' own risk. Designers are solely responsible for compliance with all legal and regulatory requirements in connection with such selection.

Designer will fully indemnify TI and its representatives against any damages, costs, losses, and/or liabilities arising out of Designer's non-compliance with the terms and provisions of this Notice.