



Features

- Fixed 5V±4% Output
- VIN Range: 2.7V ~ 5V
- Output Current: up to 250mA ($V_{IN}=4.5V$)
- Low Noise Constant Frequency Operation
- Shutdown Current: <1μA
- Short-Circuit Protection
- Soft-start
- No Inductors
- Available in Low Profile 6-Lead SOT-23 Package

Applications

- White LED Backlighting
- Li-Ion Battery Backup Supplies
- Local 3V to 5V Conversion
- Smart Card Readers
- PCMCIA Local 5V Supplies

Description

The HX4002 is a low noise, constant frequency (1.2MHz) switched capacitor voltage doubler. It produces a regulated output voltage from 2.7V to 5V input with up to 250mA of output current. Low external parts count (one flying capacitor and two small bypass capacitors at VIN and VOUT) make the HX4002 ideally suited for small, battery-powered applications.

The new charge-pump architecture maintains constant switching frequency to no load and reduces both output and input ripple. The HX4002 have thermal shutdown capability and can survive a continuous short circuit from VOUT to GND. Built-in soft-start circuitry prevents excessive inrush current during start-up.

The HX4002 is available in the 6-pin SOT-23 package.

Typical Application Circuit

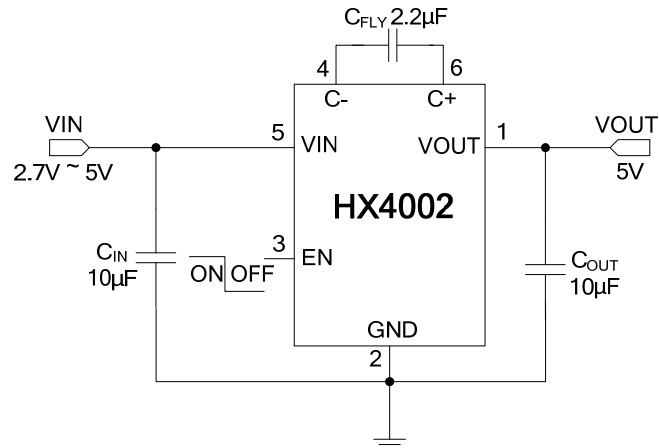


Figure 1: Regulated 5V Output

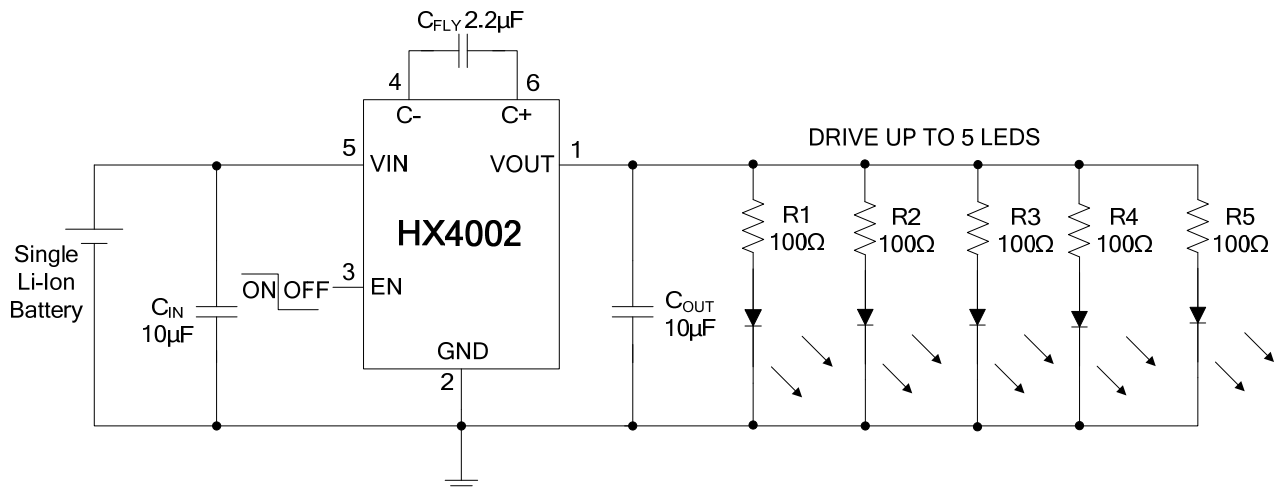


Figure 2: Lithium-Ion Battery to 5V White or Blue LED Drivers

Pin Assignment and Description

TOP VIEW		PIN	NAME	DESCRIPTION
<p>SOT-23-6L</p>		1	VOUT	Output
		2	GND	Ground
		3	EN	ON/OFF Control (High Enable)
		4	C-	Flying Capacitor Negative Terminal.
		5	VIN	Input
		6	C+	Flying Capacitor Positive Terminal.

Absolute Maximum Ratings (Note 1)

➤ Input Supply Voltage.....	-0.3V ~ 6V
➤ EN Pin Voltage.....	-0.3V ~ 6V
➤ Output Voltage.....	-0.3V ~ 5.5V
➤ Output Current	300mA
➤ Operating Temperature Range (Note 2).....	-40°C ~ +85°C
➤ Maximum Junction Temperature.....	+150°C
➤ Storage Temperature Range	-65°C ~ +125°C
➤ Lead Temperature (Soldering, 10 sec.)	+265°C

Note 1: Stresses listed as the above “Absolute Maximum Ratings” may cause permanent damage to the device.

Exposure to absolute maximum rating conditions for extended periods may remain possibility to affect device reliability.

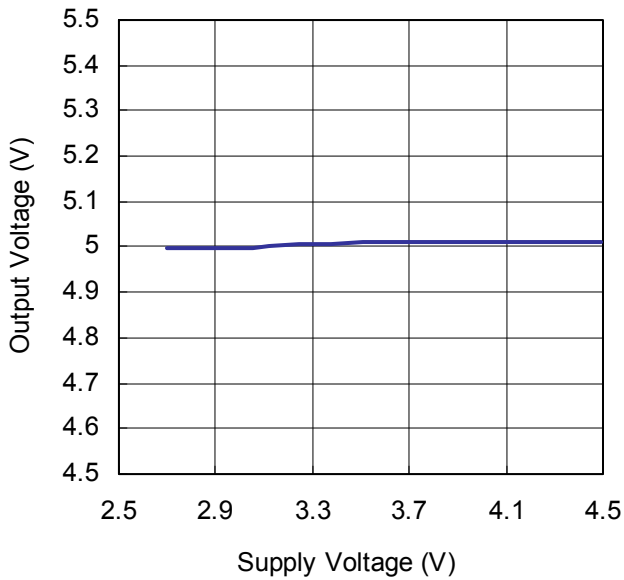
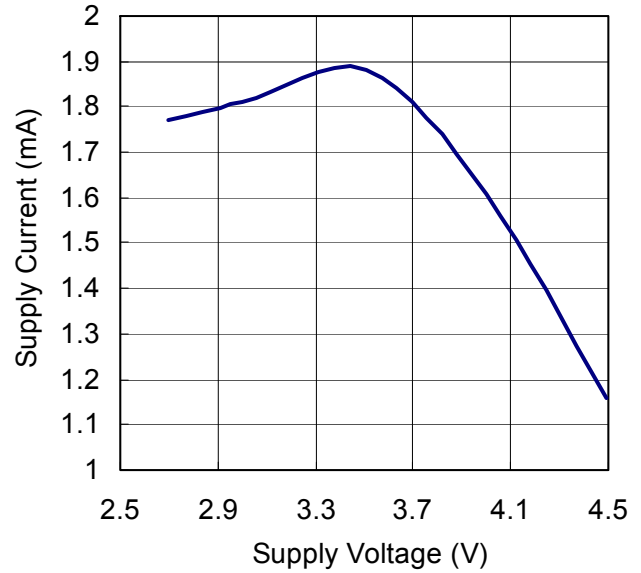
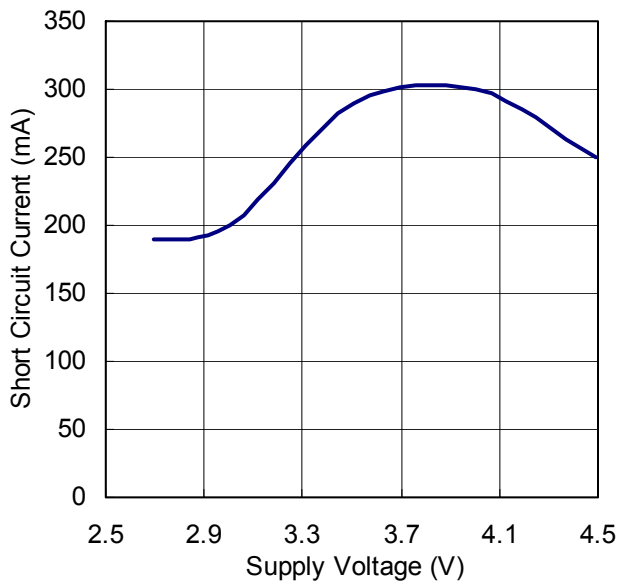
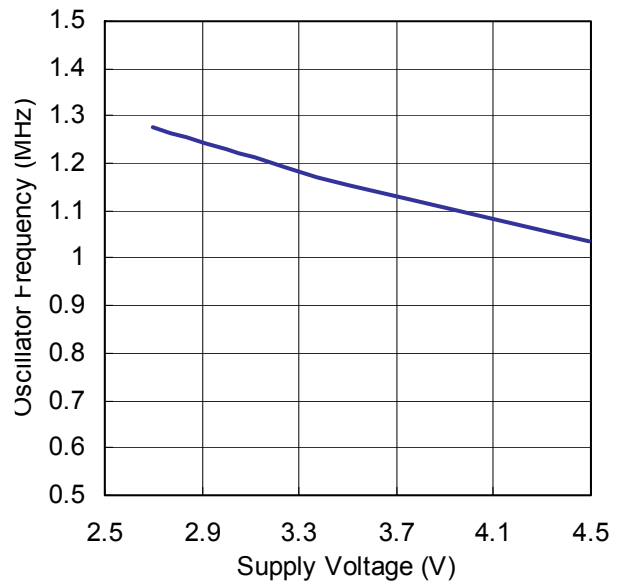
Note 2: The HX4002 is guaranteed to meet performance specifications from 0°C to 70°C. Specifications over the -40°C to 85°C operating temperature range are assured by design, characterization and correlation with statistical process controls.

Electrical Characteristics

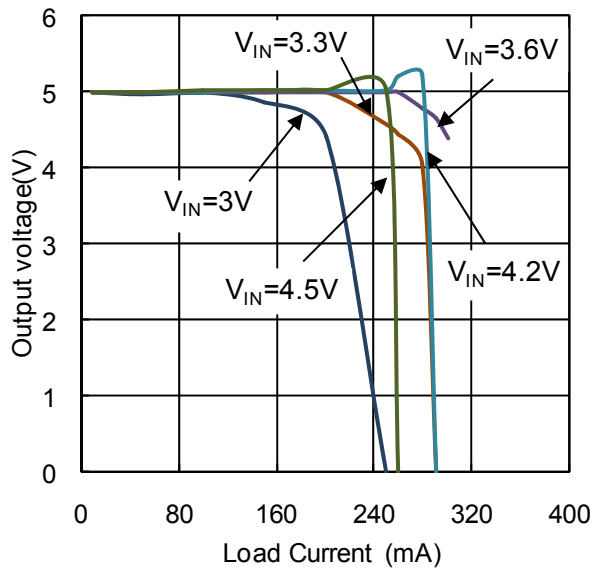
Operating Conditions: $T_A = 25^\circ\text{C}$, $V_{IN} = 3.6\text{V}$, $V_{EN} = V_{IN}$, $C_{IN} = C_{OUT} = 10\mu\text{F}$, unless otherwise noted.

SYMBOL	PARAMETER	CONDITIONS	MIN	TYP	MAX	UNITS
V_{IN}	Input Voltage Range		2.7		5	V
V_{OUT}	Output Voltage Range		4.8	5	5.2	V
I_{SHDN}	Shutdown Current	$V_{EN} = 0\text{V}$, $V_{OUT} = 0\text{V}$		0.2		μA
$I_{NO\ LOAD}$	No load input current	$I_{OUT} = 0\text{mA}$, $V_{IN} = 2.7\text{V}$		1.8		mA
EFFI	Efficiency	$V_{IN} = 2.7\text{V}$, $I_{OUT} = 80\text{mA}$		83		%
f_{OSC}	Switching Frequency	$V_{IN} = 3.2\text{V}$, $I_{OUT} = 100\text{mA}$		1.2		MHz

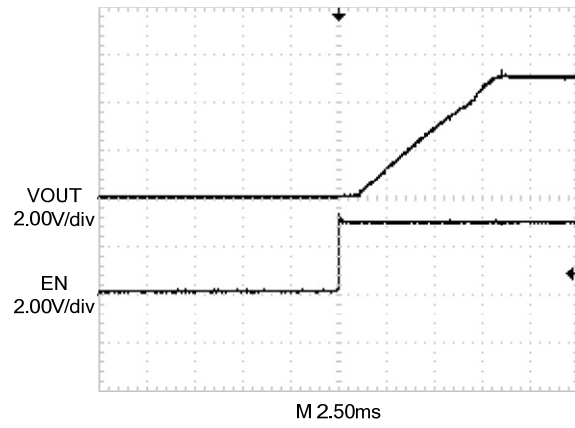
Typical Performance Characteristics

Output Voltage vs. Supply Voltage

No Load Supply Current vs. Supply Voltage

Short Circuit Current vs. Supply Voltage

Oscillator Frequency vs. Supply Voltage


Load Current vs. Output Voltage



Start-up ($V_{IN}=3V$)



Pin Functions

VOUT (Pin 1): Regulated Output Voltage. VOUT should be bypassed with a low ESR ceramic capacitor providing at least 10 μ F of capacitance as close to the pin as possible for best performance.

GND (Pin 2): Ground. These pins should be tied to a ground plane for best performance. The exposed pad must be soldered to PCB ground to provide electrical contact and optimum thermal performance.

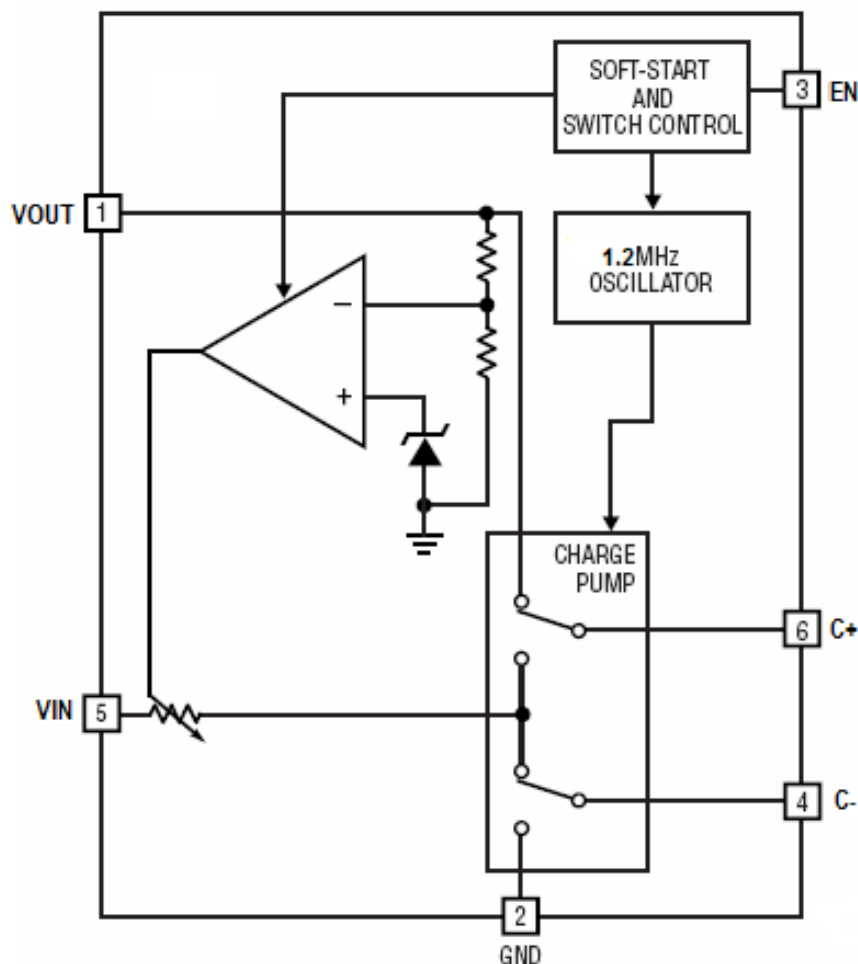
EN (Pin 3): Active Low Shutdown Input. This pin must not be allowed to float.

C- (Pin 4): Flying Capacitor Negative Terminal.

VIN (Pin 5): Input Supply Voltage. VIN should be bypassed with a low ESR ceramic capacitor providing at least 10 μ F of capacitance as close to the pin as possible for best performance.

C+ (Pin 6): Flying Capacitor Positive Terminal.

Block Diagram



Application Information

Operation

The HX4002 use a switched capacitor charge pump to boost VIN to a regulated output voltage. Regulation is achieved by sensing the output voltage through an internal resistor divider and modulating the charge pump output current based on the error signal. A 2-phase nonoverlapping clock activates the charge pump switches. The flying capacitor is charged from VIN on the first phase of the clock. On the second phase of the clock it is stacked in series with VIN and connected to VOUT. This sequence of charging and discharging the flying capacitor continues at a free running frequency of 1.2MHz (typ).

In shutdown mode all circuitry is turned off and the HX4002 draw only leakage current from the VIN supply. Furthermore, VOUT is disconnected from VIN. The EN pin is a CMOS input with a threshold voltage of approximately 0.8V. The HX4002 is in shutdown when a logic low is applied to the EN pin. Since the EN pin is high impedance CMOS input it should never be allowed to float. To ensure that its state is defined it must always be driven with a valid logic level.

Short-Circuit Protection

The HX4002 have built-in short-circuit current limiting. At short-circuit condition, it will automatically limit the output current to approximately 300mA.

Soft-Start

The HX4002 have built-in soft-start circuitry to prevent excessive current flow at VIN during start-up. The soft-start time is preprogrammed to approximately 2.5ms, so the start-up current will be primarily dependent upon the output capacitor.

VIN, VOUT Capacitor Selection

The style and value of capacitors used with the HX4002 determine several important parameters such as regulator control loop stability, output ripple, charge pump strength and minimum start-up time.

To reduce noise and ripple, it is recommended that low ESR (<0.1Ω) ceramic capacitors be used for both C_{IN} and C_{OUT}. These capacitors should be 10μF or greater. Tantalum and aluminum capacitors are not recommended because of their high ESR.

Flying Capacitor Selection

Warning: A polarized capacitor such as tantalum or aluminum should never be used for the flying capacitor since its voltage can reverse upon start-up of the HX4002. Low ESR ceramic capacitors should always be used for the flying capacitor.

The flying capacitor controls the strength of the charge pump. In order to achieve the rated output current it is necessary to have at least 2.2μF of capacitance for the flying capacitor.

Layout Considerations

Due to its high switching frequency and the high transient currents produced by the HX4002, careful board layout is necessary. A true ground plane and short connections to all capacitors will improve performance and ensure proper regulation under all conditions.

Figure 4 shows an example layout for the HX4002.

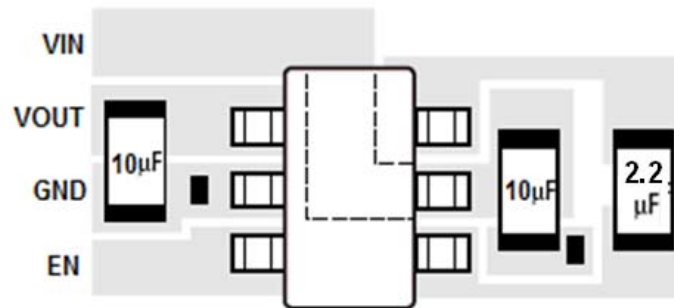
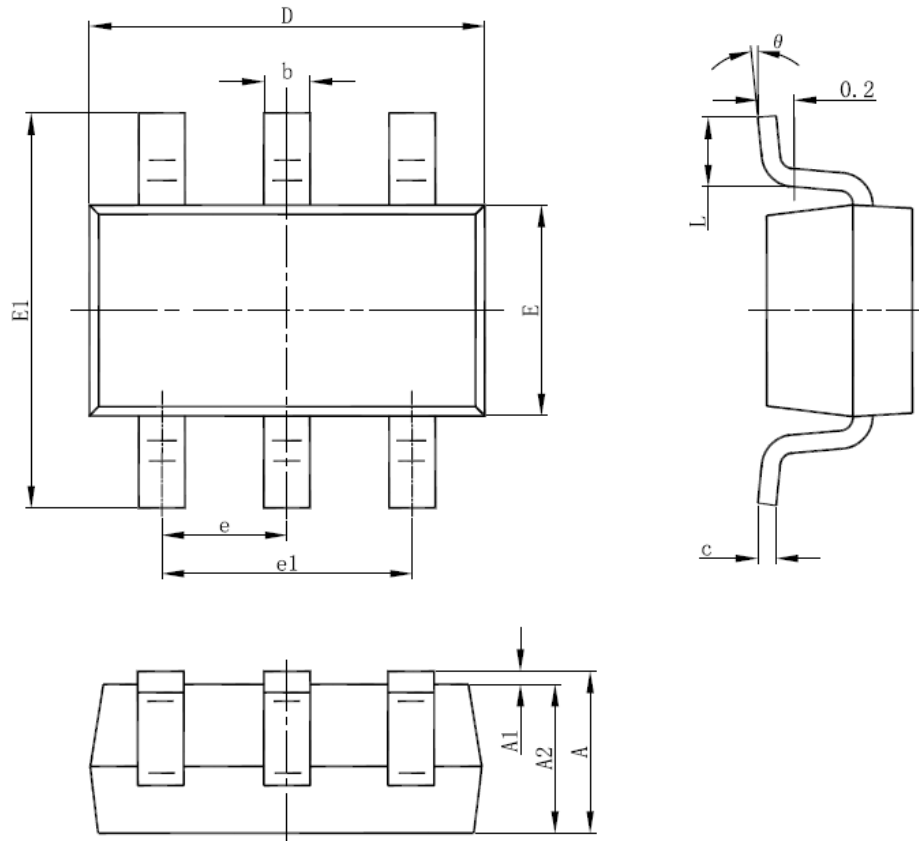


Figure 3: Recommended Layout

Packaging Information

SOT-23-6L Package Outline Dimension



Symbol	Dimensions In Millimeters		Dimensions In Inches	
	Min	Max	Min	Max
A	1.050	1.250	0.041	0.049
A1	0.000	0.100	0.000	0.004
A2	1.050	1.150	0.041	0.045
b	0.300	0.500	0.012	0.020
c	0.100	0.200	0.004	0.008
D	2.820	3.020	0.111	0.119
E	1.500	1.700	0.059	0.067
E1	2.650	2.950	0.104	0.116
e	0.950(BSC)		0.037(BSC)	
e1	1.800	2.000	0.071	0.079
L	0.300	0.600	0.012	0.024
theta	0°	8°	0°	8°

Subject changes without notice.